

LIGHTX X3L/X5L Fiber Media converter

X3L/X5L are non-managed media converters, which give you economic solutions for media conversion between fiber and copper Ethernet. It provides SC connectors for your fiber optic cables and RJ45 for twisted pair UTP cable connection. The maximum extension is up to 25km over fiber.

Features

- * In conformity to IEEE802.3u 100 base-TX/FX, IEEE802.3ab 1000 base-T, IEEE802.3z, 1000base-SX/LX, IEEE802.1a, IEEE802.1d Spanning Tree.
- * Hot Pluggable & Wall-Mountable.
- * Unique IC solution applied.
- * Supports 10/100Mbps full/half duplex, easy upgrades.
- * Auto MDI/MDI-X.
- * Auto Negotiation.
- * Support flow control.
- * Concentrated into 14slot for media converter 2U rack-mount chassis.
- * Stable performance more than 50thousand hours with fault-free.
- * In conformity with safety code of FCC, CE and RoHS.

Specifications

Optical Interface	Connector	SC
	Optical Module	1*9 type
	Data Rate	100Mbps
	Duplex Mode	Full duplex
	Fiber	SM 9/125um
	Distance	100Mbps : SM 25km
	Wavelength	WDM Tx1310/Rx1550nm(A side),Tx1550/Rx1310nm(B side)
UTP Interface	Connector	RJ45
	Data Rate	10/100Mbps
	Duplex Mode	Half/full duplex
	Cable	Cat5,Cat6, Cat7
Power Input	DC5V 1A(default), external power adapter EU type	
Power Consumption	<3W	
Weight	0,39kg	
Dimensions	94*70,5*26,5mm	

Temperature	0~60°C Operating; -40~70°C Storage
Humidity	5~95%(no condensing)
MTBF	≥10.0000h
Certification	CE, FCC, RoHS

Optional Function - DIP SWITCH



Figure 1 . Dip Switch

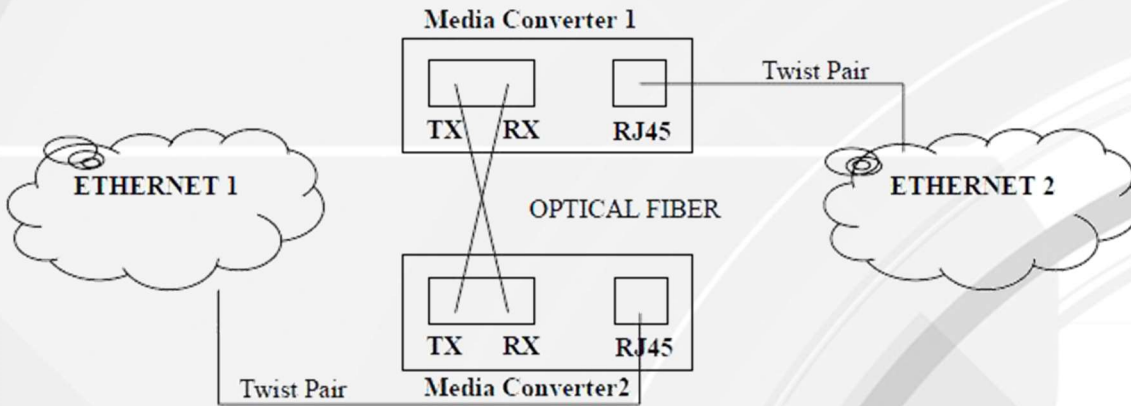
Dip Switch, Top position is ON, Low position is OFF

Table 1 .Dip Switch Function

No.	Switch Function	Description
1	LFP	Link fault pass through(LFP) Default Disable status(OFF)
2	Direct_Wire	Switch 2 and switch3
3	Fast_FWD	Direct_Wire Fast_FWD Function Mode
		OFF OFF Store and forward switch
		OFF ON Modified cut-through switch
		ON OFF Converter Mode
ON ON auto-change-forward		
4	TP_Force	TP_Force Speed_Mode Duplex_Mode

Application

- * Extend your Ethernet connection up to 0~25km away using fiber optics
- * Creates an economical Ethernet-fiber/copper-fiber link for connecting remote sub-networks to larger fiber optic networks/backbones
- * Converts Ethernet to fiber, fiber to copper/Ethernet, ensuring optimum network scalability for connecting two or more Ethernet network nodes (e.g. connecting two buildings on the same campus)
- * Designed to provide high-speed bandwidth for demanding large scale work groups that require expansion of Fast Ethernet Network



System Design

1. For Networking



2. For CCTV Surveillance Security



Product Pictures



Order Information

Part Number	Data Rate	Reach (KM)	Optic fiber	Waveleght TX/RX(nm)	Power (dBm)	Rx sensitivity (dBm)	Source
X3L	10/100Mbps	25	SM	1310/1550	-15~-3	-34	FP
X5L	10/100Mbps	25	SM	1550/1310	-15~-3	-34	FP