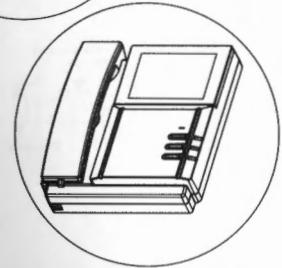
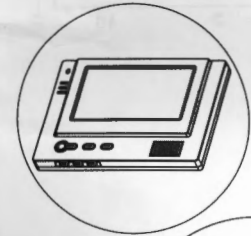
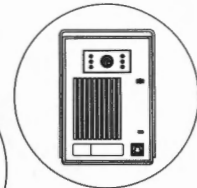
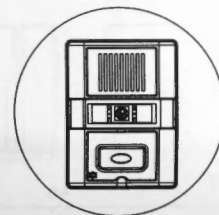


Operation and Installation Guide

┌ Multi-door video entry system ┐



LCC SYSTEM CONFIGURATION DIAGRAM1
 LCC SYSTEM ALL OUTDOOR STATION3
 VIDEO DOORPHONE10
 WIRING CONNECTIONS.....26
 OPERATION.....27
 LCC SYSTEM ALL OUTDOOR STATION INSTALLATION.....29
 LCC SYSTEM ALL INDOOR MONITOR INSTALLATION.....32
 TECHNICAL PARAMETER.....38

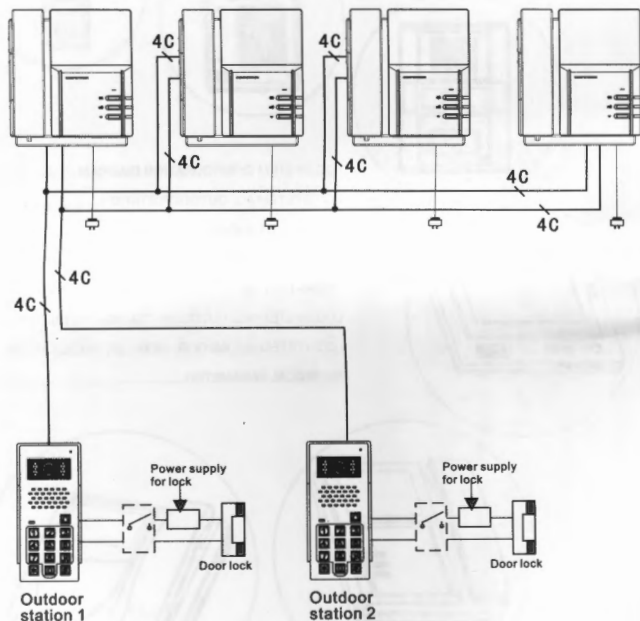
Luxurious in appearance

Unparalleled in technology

LCC SYSTEM CONFIGURATION DIAGRAM

► LCC SYSTEM WITH TWO ENTRANCES

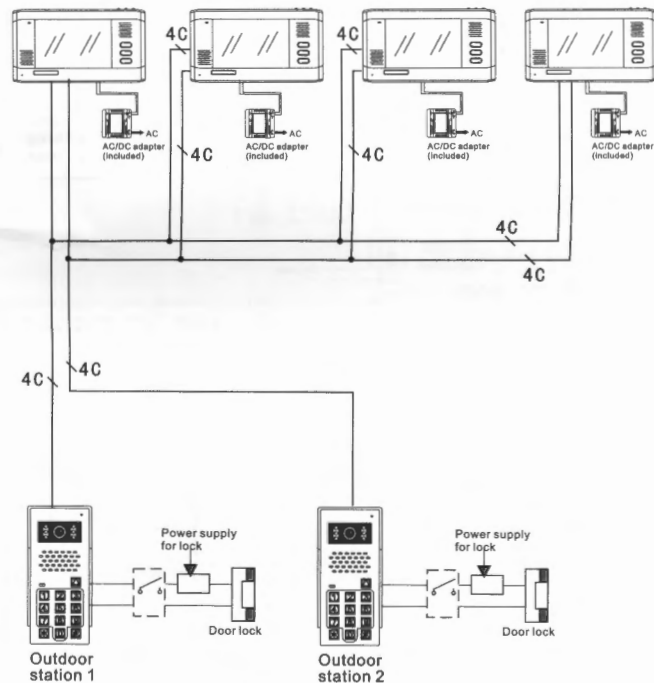
Indoor monitor built-in power supply



LCC SYSTEM CONFIGURATION DIAGRAM

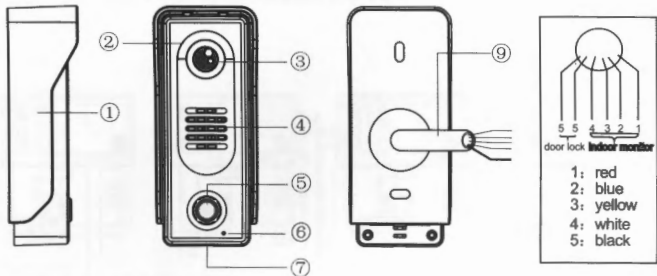
► LCC SYSTEM WITH TWO ENTRANCES

Indoor monitor external power supply



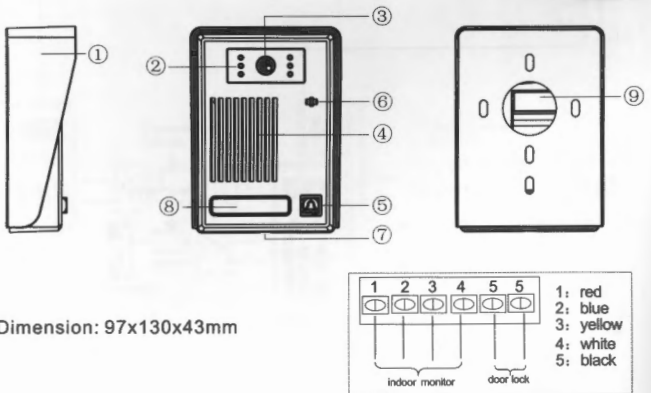
LCC SYSTEM ALL OUTDOOR STATION

- SAC5B-CK B/W
- SAC5C-CK color



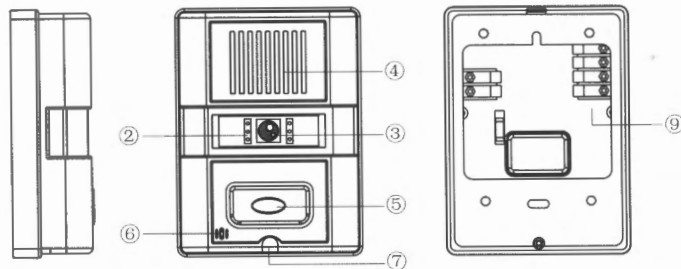
Dimension: 58x135x39mm

- SAC35B-CK B/W
- SAC35C-CK color

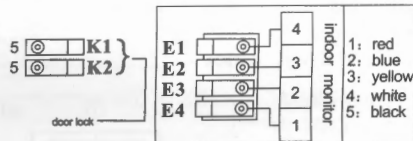


Dimension: 97x130x43mm

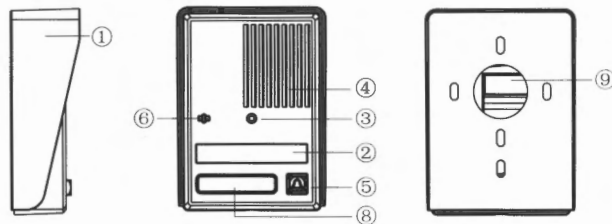
- SAC800B-CK B/W
- SAC800C-CK color



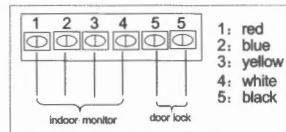
Dimension: 55x130x43mm



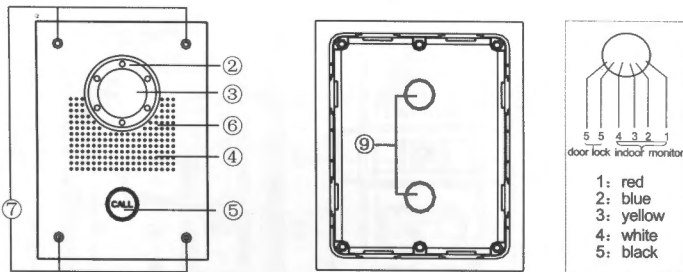
- SAC25B-CK B/W
- SAC25C-CK color



Dimension: 97x130x43mm

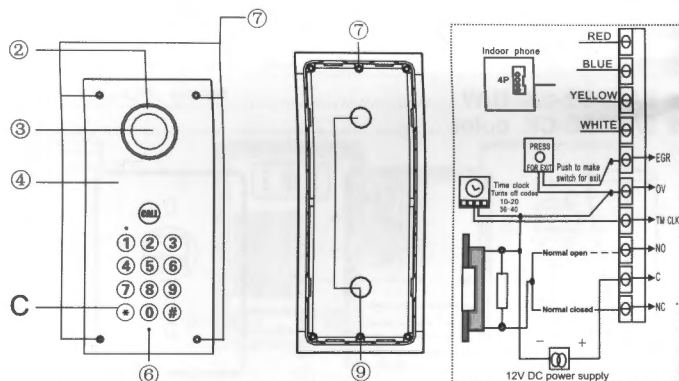


- SAC551B-CK B/W
- SAC551C-CK color



Dimension: 203x150x43mm

- SAC561B-CK B/W
- SAC561C-CK color



Dimension: 250x120x43mm

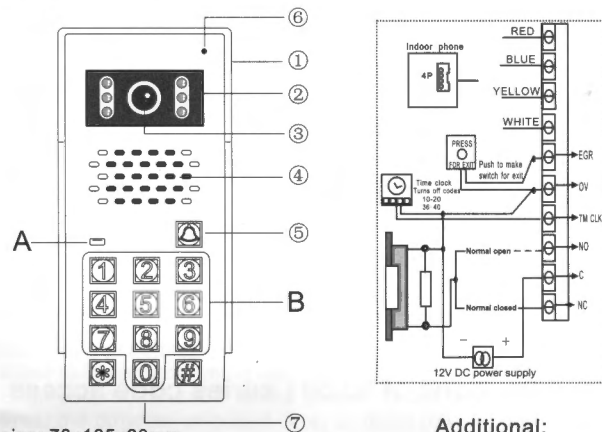
Timer: Block codes: 10-20, 36-40

Functional introduction:

1. When TMCLK connects to the low level, codes 10-20 and 36-40 are blocked, but codes 01-09 and 21-35 are effective. When TMCLK connects to the high level, all codes are effective.
2. EGR: connects with the low level to unlock door.

-5-

- SAC50B-CK B/W
- SAC50C-CK color



Dimension: 78x185x60mm

Additional:

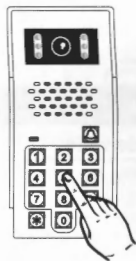
- A. LED indicator
- B. Keypad access

NO.	NAME	DESCRIPTION
①	Water cover	Protect the camera from outside water
②	LED assistant	Provide lighting during night time for better visibility
③	CCD camera	Capture the image and send to the monitor
④	Speaker	Sound from monitor is delivered
⑤	Calling button	Call the indoor phone to communicate
⑥	Microphone	Deliver sound when communicate with the indoor phone
⑦	Screw hole	Install screws
⑧	Nameplate	Show residential name
⑨	Connection wiring	Connect with the monitor



Power	DC 14.5V
Working current	≤200mA
Camera lens	1/3 CCD~ 72 degree ken
Illumination(minimum)	0.05 LUX
Communication duration	120s
Communication method	Duplex communication
Working temperature	-20~+55°C
IP rating	55

Specifications of 50/561 series code access



ATTENTION

1. The original factory defaulted programming password is 1234.
2. In the programming mode, set 40 groups of 4-digit passwords to unlock door.

Set programming code

1. Switch off the power, press * and hold, switch on the power. After hearing a long sound, release *.
2. After the long sound stops, another sound is heard, now you can enter the new 4-digit programming password.
3. After entering the new password, a "DI" sound can be heard for 5 times.

Enter to the programming mode

1. Press *, "DI" sound should be heard twice, and then enter 4-digit programming password, "DI" sound should be heard three times with LED light flashing. It indicates entering to the programming mode successfully.
2. Press * to exit the programming mode with "DI" sound in five times.

Set unlocked time

Factory default setting is 5 seconds.

1. Enter to the programming mode first
2. Enter code 00, and "DI" sound should be heard twice.
3. Enter the targeted unlocked time: 2 digits (01 - 99 seconds); 00 is not valid in this mode.
4. After "DI" sound is heard for three times, it will return to programming mode.
5. Press * to exit the programming mode.

Add user passwords

1. Enter to the programming mode first.
2. Enter 01 - 04 (31 - 40 can not set unlocked time as they are normal open/closed).
3. Enter 4-digit password. If long "DI" sound is heard twice, it indicates password stored fails, and this password exists somewhere else. If "DI" sound is heard for three times, it indicates password stored succeeds. Return to the programming mode.

Delete user passwords

1. Enter to the programming mode first.
2. Enter 01 - 40.
3. Press # to delete the password stored in 01 - 04.
4. After "DI" sound is heard for three times, return to the programming mode.

Delete user passwords directly

1. Enter to the programming mode first.
2. Press #. After "DI" sound is heard twice, then enter 4-digits password for deletion.
3. After "DI" sound is heard for three times, it indicates the password has been deleted and return to the programming mode.

Delete all settings

1. Enter to the programming mode first.
2. Press #. After "DI" sound is heard twice, press # again. Another "DI" sound is heard twice.
3. Then, press # for seven times, the system deletes all the setting. The unlocked time changes to 1 second, and the programming password does not change. After hearing "DI" sound for five times, the system reset, and all the user passwords are deleted.

LCC SYSTEM ALL INDOOR MONITORS

VIDEO DOORPHONE

■ Handset monitors:

MT210B-CK2U MT210C-7CK2U MT200B/C-CK2
MT210B-CK2 MT210C-7CK2

■ Hands-free monitors:

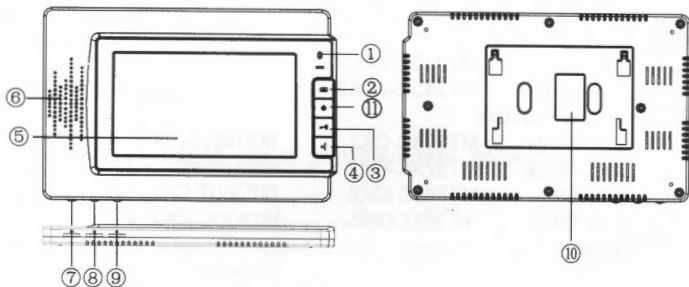
MT320C-CK2 MT333C-CK2 MT18B/C-CK2
MT37XC-CK2U MT37XC-CK2 MT181B/C-CK2
MT350C-CK2 MT360C-CK2 MT360T-CK2
MT361C-CK2 MT361T-CK2 MT300C-CK2
MT8T-CK2

No.	Icon	Description	No.	Icon	Description
①		Microphone	⑧	☀	Brightness
②	📺	Monitor	⑨	🗨	Chroma/contrast
③	🔓	Door unlocked	⑩		System terminal
④	🗣	Talking	⑪	📞	Calling
⑤		TFT display/CRT	⑫		Handset
⑥		Speaker	⑬		Indicated light
⑦	🗣	Talking volume	⑭	🔔	Ringing volume

CAUTION:

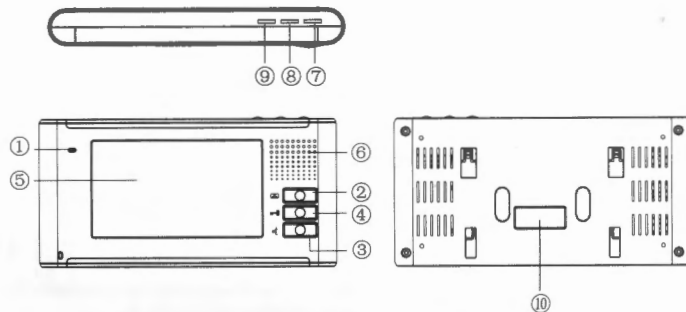
1. When connect with more than one indoor monitor, please connect with the J2 of the farthest indoor monitor, and disconnect the J2 of the rest of the indoor monitors.
2. When connect with more than one indoor monitor, please connect with the J1 and J3 of the closest indoor monitor, and disconnect the J1 and J3 of the rest of the indoor monitors.

■ Hands-free monitor: MT320C-CK2

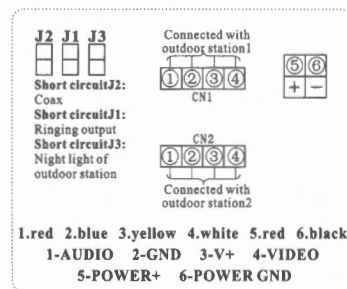
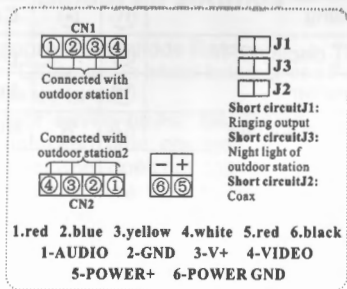


Dimension: 245x160x18mm

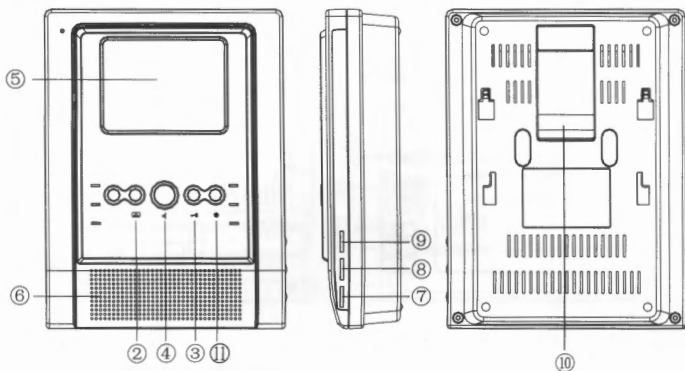
■ Hands-free monitor: MT333C-CK2



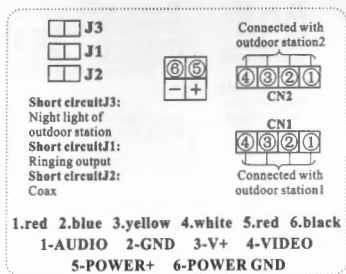
Dimension: 220x110x28mm



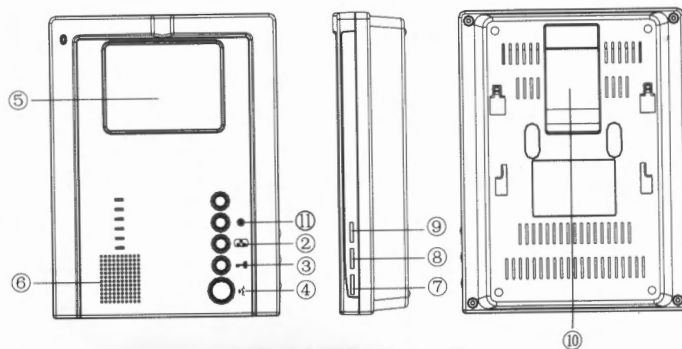
■ Hands-free monitor: MT18B/C-CK2



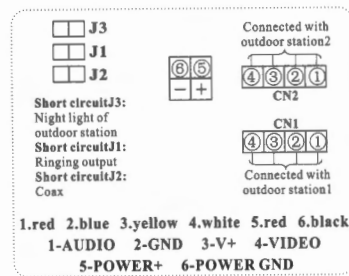
Dimension: 165x220x50mm



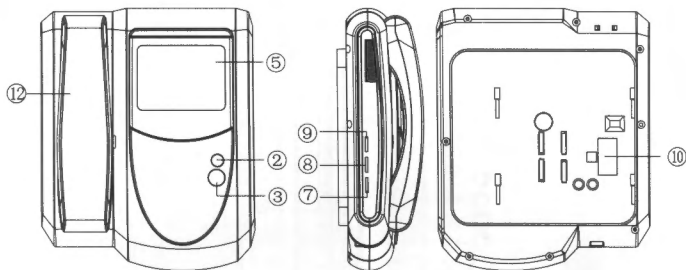
■ Hands-free monitor: MT181B/C-CK2



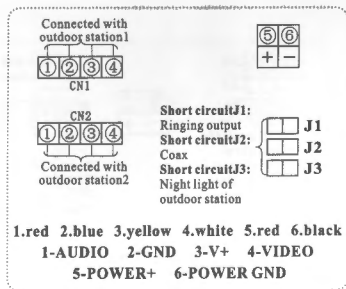
Dimension: 165x220x54mm



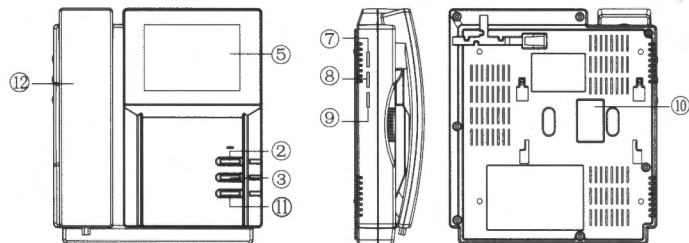
■ Handset monitor: MT200B/C-CK2



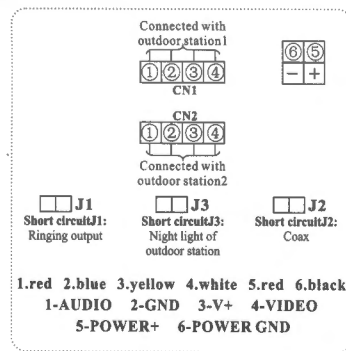
Dimension: 243x198x79mm



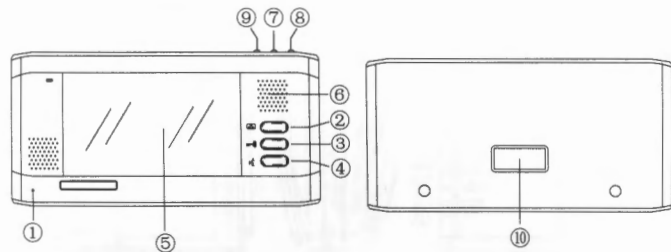
■ Handset monitor: MT210B-CK2U MT210C-7CK2U
MT210B-CK2 MT210C-7CK2



Dimension: 220x110x28mm

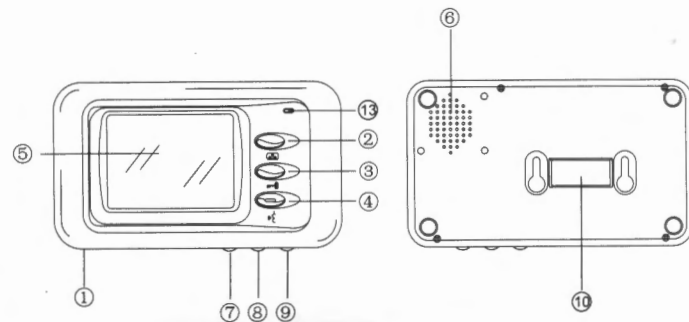


■ Hands-free monitor: MT350C-CK2

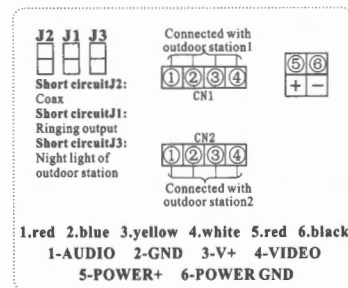
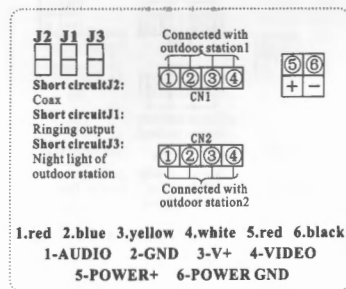


Dimension: 220x110x25mm

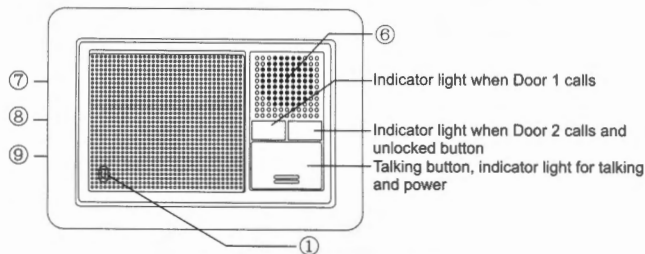
■ Hands-free monitor: MT300C-CK2



Dimension: 190x113x43mm

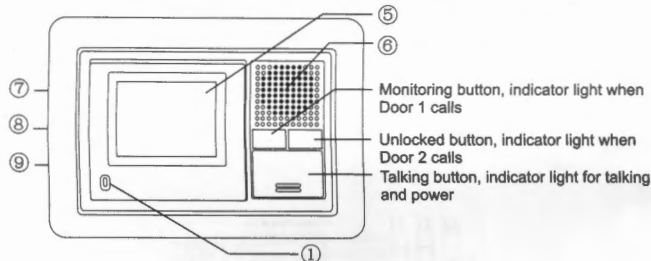


■ Hands-free monitor: MT360T-CK2 MT361T-CK2

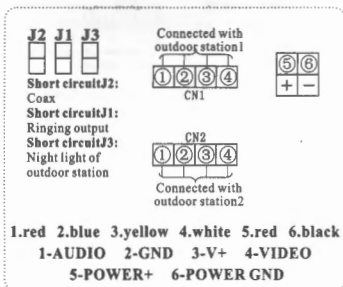


Dimension: 160x120x42mm

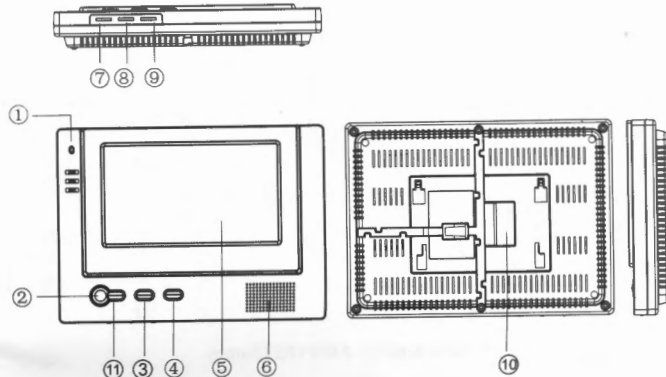
■ Hands-free monitor: MT360C-CK2 MT361C-CK2



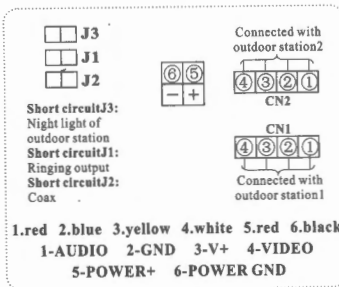
Dimension: 160x120x42mm



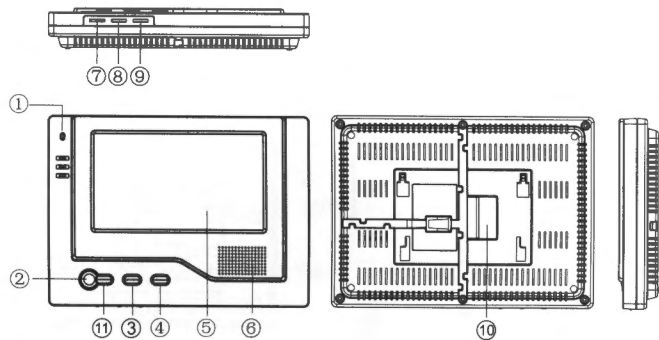
■ Hands-free monitor: MT370C-CK2U MT370C-CK2



Dimension: 240x175x38mm

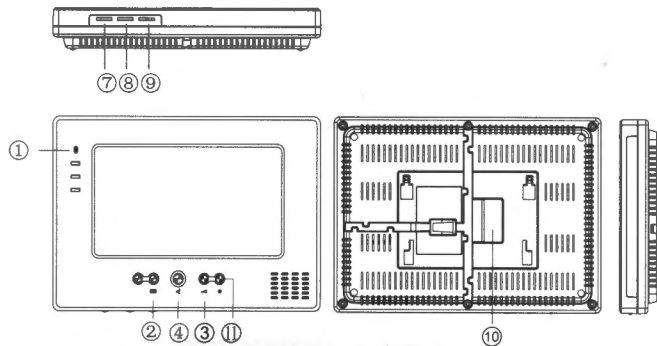


■ Hands-free monitor: MT371C-CK2U MT371C-CK2



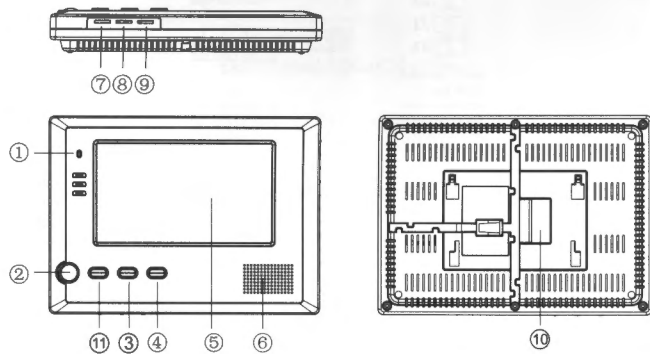
Dimension: 240x175x38mm

■ Hands-free monitor: MT373C-CK2U MT373C-CK2

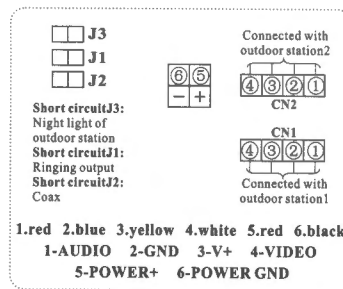


Dimension: 240x175x38mm

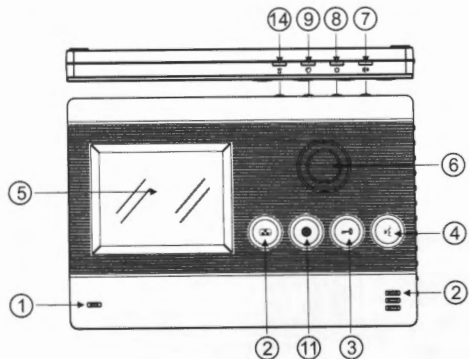
■ Hands-free monitor: MT372C-CK2U MT372C-CK2



Dimension: 240x175x38mm

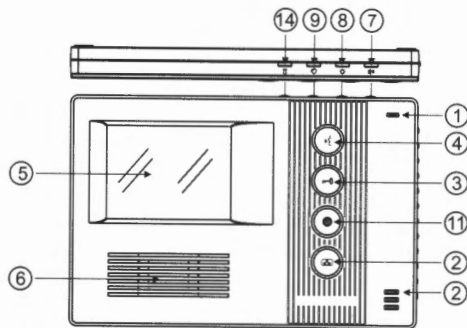


■ Hands-free monitor: MT380C-CK2



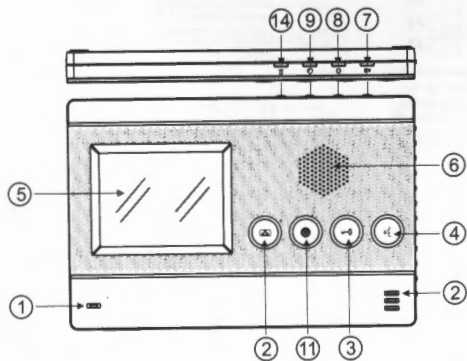
Dimension: 230x153x22mm

■ Hands-free monitor: MT382C-CK2

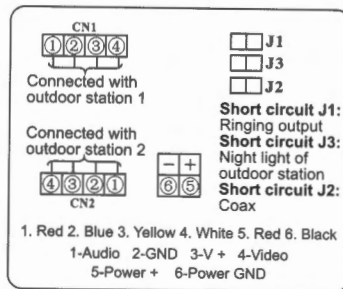


Dimension: 230x153x22mm

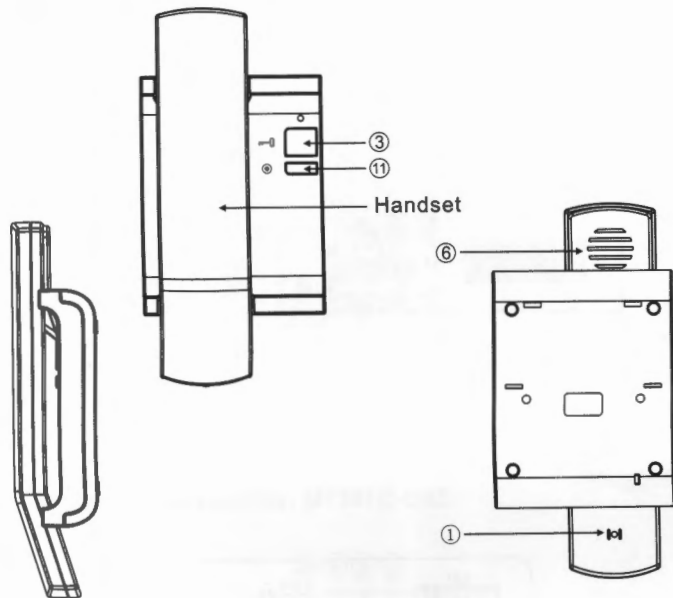
■ Hands-free monitor: MT381C-CK2



Dimension: 230x153x22mm



■ Handset monitor: MT8T-CK2



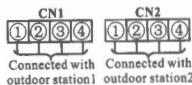
Dimension: 198x95x45mm



Short circuit J3:
Night light of
outdoor station
Short circuit J1:
Ringing output



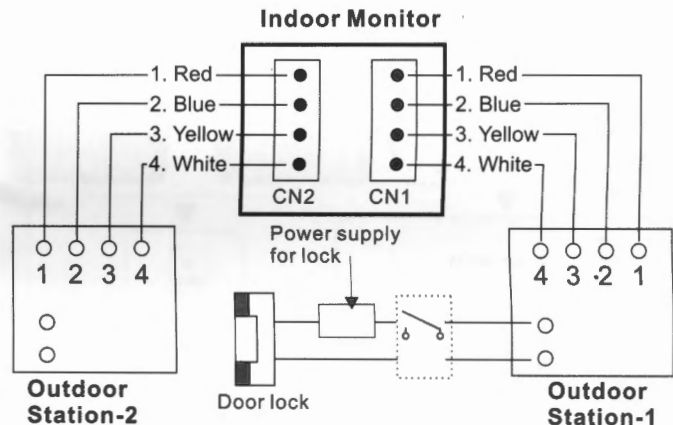
1.red 2.blue 3.yellow 4.white 5.red 6.black
1-AUDIO 2-GND 3-V+ 4-VIDEO
5-POWER+ 6-POWER GND



SYSTEM DIAGRAM

► Wiring connection

1. Red 2. Blue 3. Yellow 4. White
1-Audio 2-GND 3-V+ 4-Video



OPERATION

▶ Visitor calls

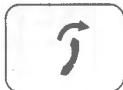
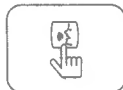


a chime sound ▼

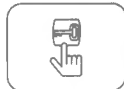


a chime sound ▼

The visitor image shown on the monitor



Dialogue begins



Dialogue duration is up to 120 seconds at a time

Check ▼

Open the door

After pressing the unlocked button, the indoor monitor still displays the image from the front door camera.



Press the TALKING button or hang-up the handset



End the call

* Press monitoring button anytime, the indoor monitor will show the view from the front door camera automatically. Press talking button to have communication with the visitor by the front door.

▶ MONITOR

Press the monitoring button



* This function is to see the view from the front door camera.

Press once

Press twice

Outdoor station 1 monitoring
The LED (L) is lighting in blue color

Outdoor station 2 monitoring
The LED (L) is lighting in blue color



End the monitor

▶ Call transferring from main indoor monitor to extension indoor monitor (Only for 37 series, 320, 210 indoor monitors)

■ The main indoor monitor transfers call

During the conversation between the outdoor station and the main indoor monitor, press (L) button on the main indoor monitor.



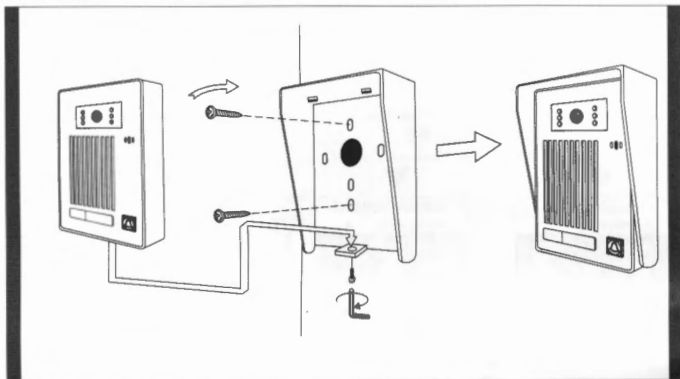
The extension indoor monitors ring

The main indoor monitor press (L) button again to end the conversation.

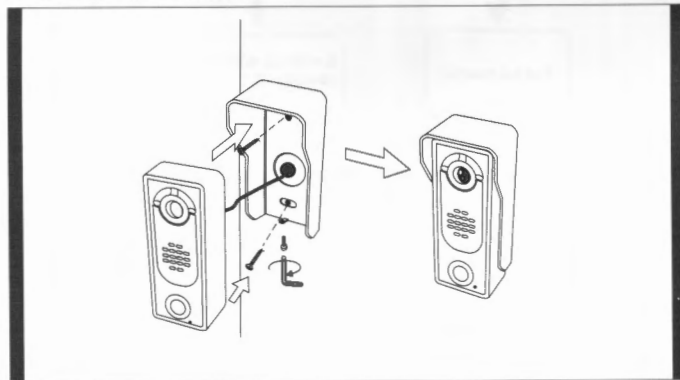
Any extension press (L) button or pick up the handset to communicate with the outdoor station.

INSTALLATION

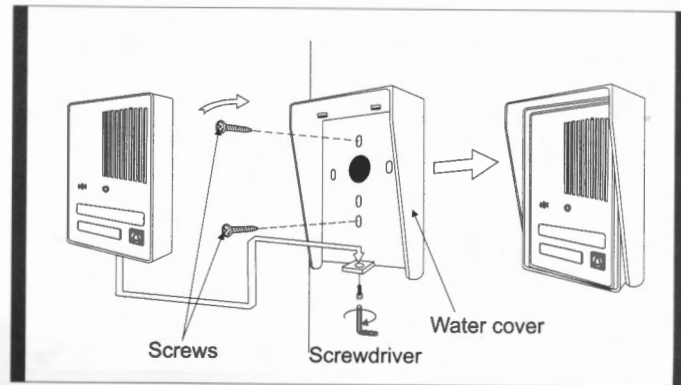
■ SAC35 INSTALLATION



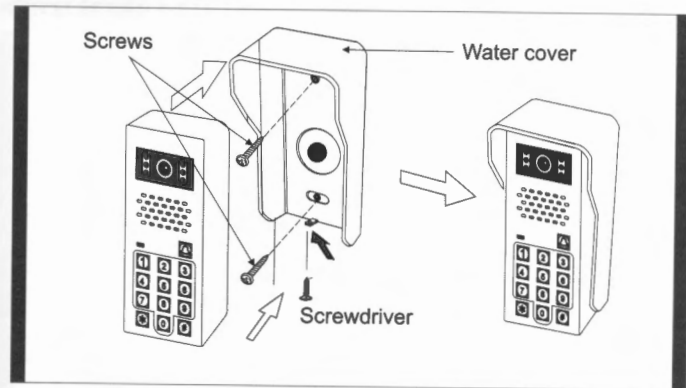
■ SAC5 INSTALLATION



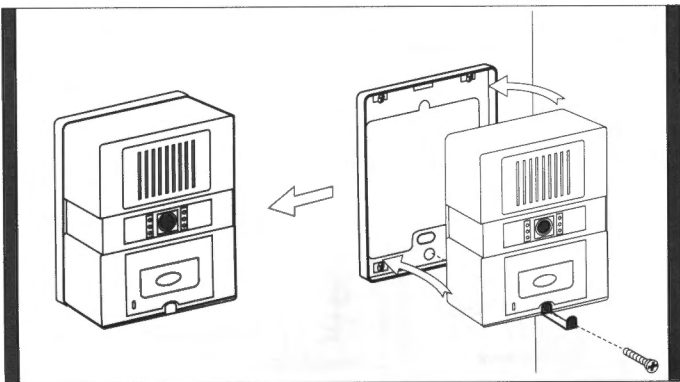
■ SAC25 INSTALLATION



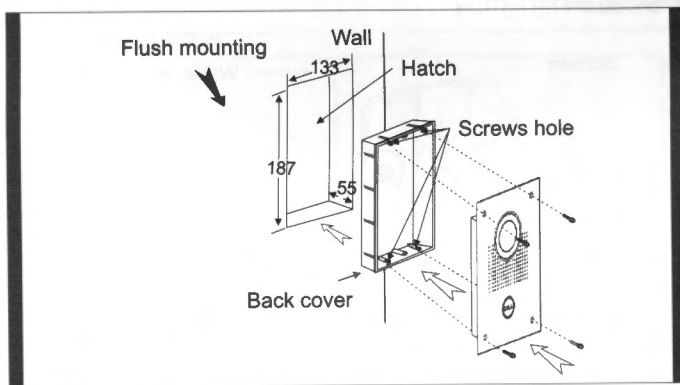
■ SAC50 INSTALLATION



■ SAC800 INSTALLATION



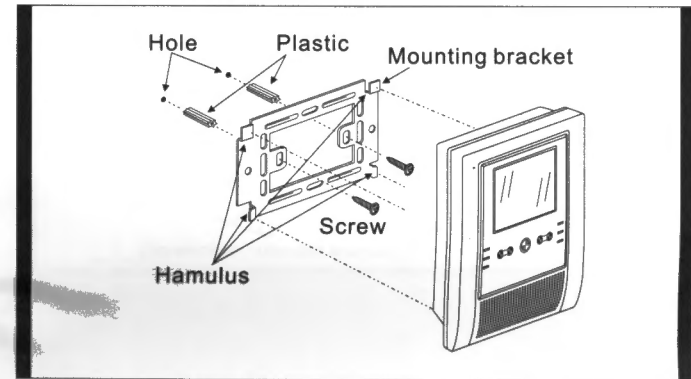
■ SAC551 INSTALLATION



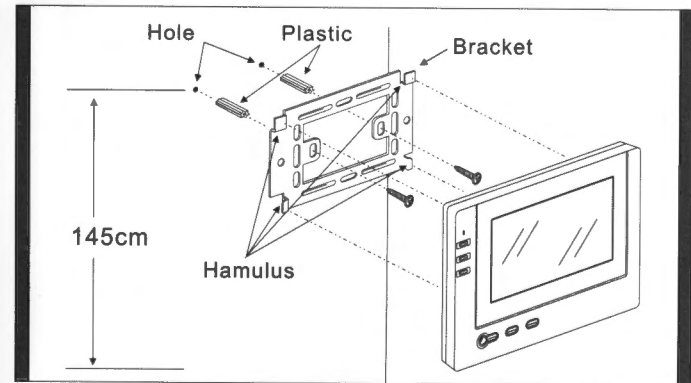
▶ LCC SYSTEM ALL INDOOR MONITOR INSTALLATION

INSTALLATION

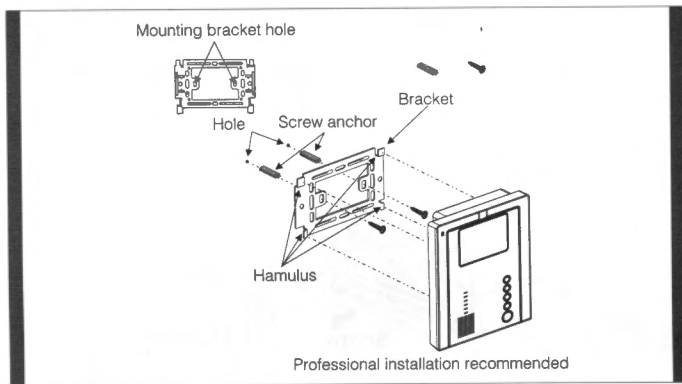
■ MT18 INSTALLATION



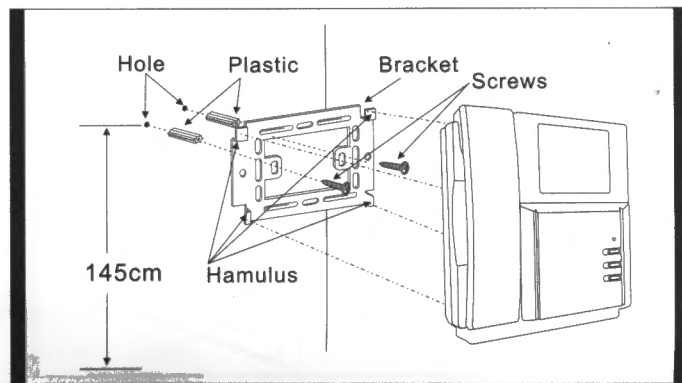
■ MT37 SERIES INSTALLATION



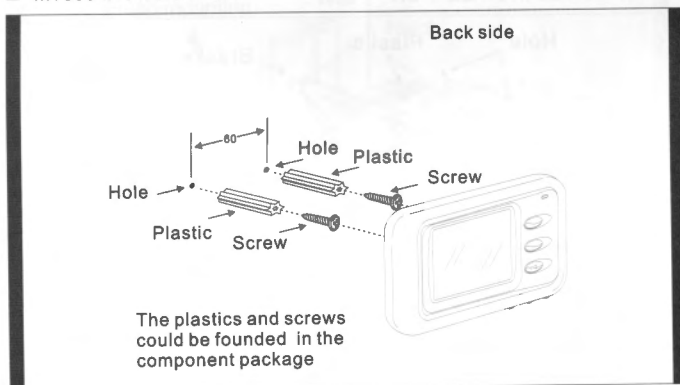
■ MT181 INSTALLATION



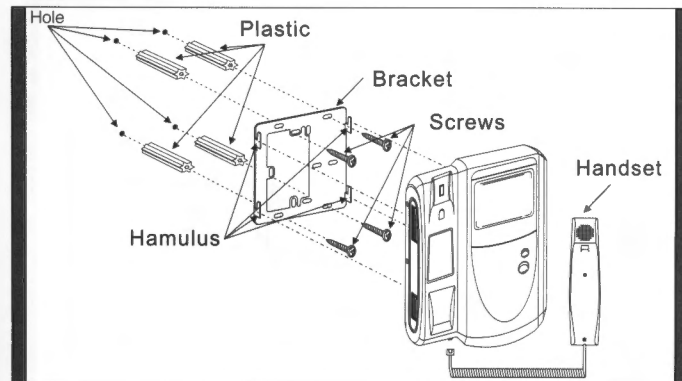
■ MT210 INSTALLATION



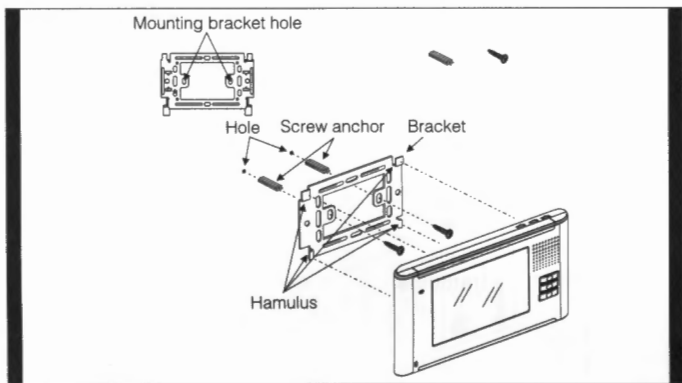
■ MT300 INSTALLATION



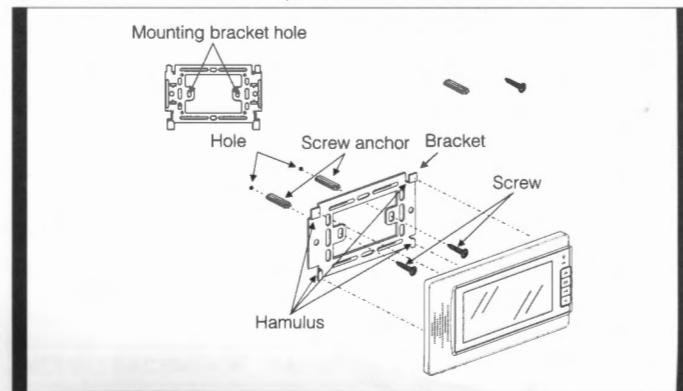
■ MT200 INSTALLATION



■ MT333/361/350 INSTALLATION

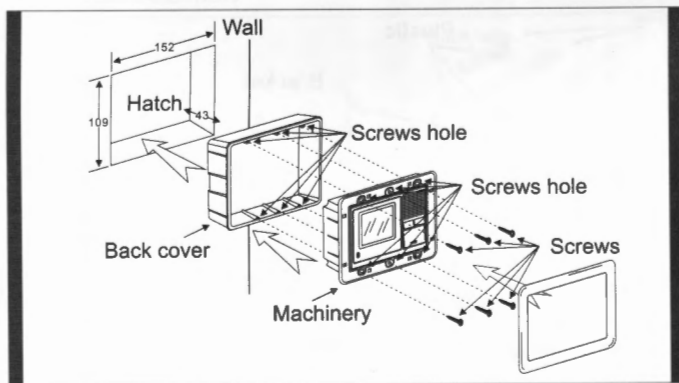


■ MT320 INSTALLATION

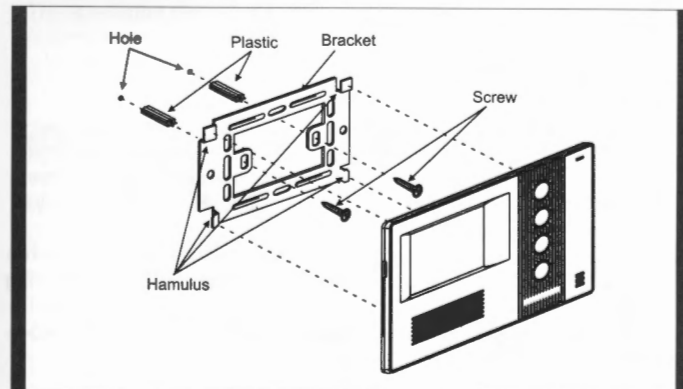


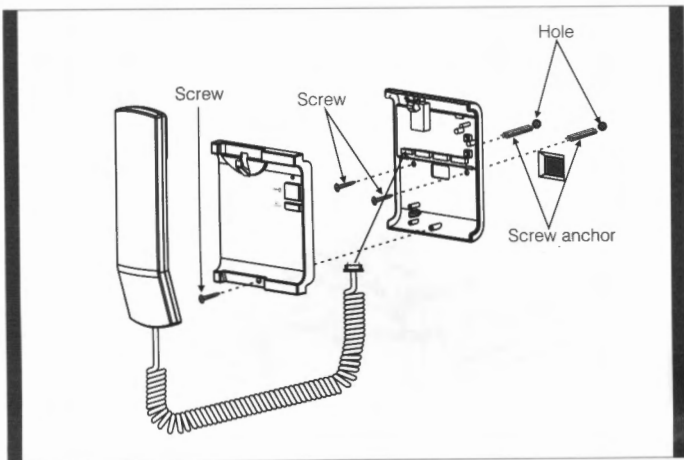
■ MT360 INSTALLATION

INSTALLATION



■ MT380/381/382 SERIES INSTALLATION





INSTRUCTION:

1. Cables of LCC system:

① Non-wired cable.

② Diameter $\geq 0.2\text{mm}^2$, from outdoor station to the farthest monitor distance $\leq 28\text{m}$.
 Diameter $\geq 0.3\text{mm}^2$, from outdoor station to the farthest monitor distance $\leq 50\text{m}$.
 Diameter $\geq 0.5\text{mm}^2$, from outdoor station to the farthest monitor distance $\leq 70\text{m}$.

2. Every indoor monitor can connect up to three extension indoor monitors and two outdoor stations.
3. Handset indoor monitor with two function buttons and hands-free indoor monitor with three function buttons do not contain transferring function.
4. Every indoor monitor needs power: 14.5V, 1.3A (except build-in power supply).

TECHNICAL PARAMETER

MODEL: SAC25B/C-CK SAC35B/C-CK	
Voltage: DC 14.5V	Temperature: -20~+55°C
Working current: 100mA Stand by: 10mA	
Mode: dual transmission	Talking time: 2 minutes
Transmission distance $< 28\text{m}$, wire $> 0.2\text{mm}^2$	
Transmission distance $< 50\text{m}$, wire $> 0.3\text{mm}^2$	
Transmission distance $< 70\text{m}$, wire $> 0.5\text{mm}^2$	
Dimension: 90x130x43mm (involve waterproof)	

MODEL: SAC5B/C-CK SAC551B/C-CK	
Voltage: DC 14.5V	Temperature: -20~+55°C
Working current: 100mA Stand by: 10mA	
Mode: dual transmission	Talking time: 2 minutes
Transmission distance $< 28\text{m}$, wire $> 0.2\text{mm}^2$	
Transmission distance $< 50\text{m}$, wire $> 0.3\text{mm}^2$	
Transmission distance $< 70\text{m}$, wire $> 0.5\text{mm}^2$	

MODEL: SAC50B/C-CK SAC561B/C-CK	
Voltage: DC 14.5V	Temperature: -20~+55°C
Working current: 100mA Stand by: 10mA	
Mode: dual transmission	Talking time: 2 minutes
Transmission distance $< 28\text{m}$, wire $> 0.2\text{mm}^2$	
Transmission distance $< 50\text{m}$, wire $> 0.3\text{mm}^2$	
Transmission distance $< 70\text{m}$, wire $> 0.5\text{mm}^2$	

MODEL: SAC800B/C-CK	
Voltage: DC 14.5V	Temperature: -20~+55°C
Working current: 100mA Stand by: 10mA	
Mode: dual transmission	Talking time: 2 minutes
Transmission distance < 28m, wire > 0.2mm ² Transmission distance < 50m, wire > 0.3mm ² Transmission distance < 70m, wire > 0.5mm ²	
Dimension: 140x105x45mm (involve waterproof)	

MODEL: MT37 series	
Voltage: AC 100V~240V/50(60)Hz	Temperature: -10~+55°C
Working current: 200mA Stand by: 20mA	
Mode: dual transmission	Talking time: 2 minutes
Dimension: 240x175x38mm	

MODEL: MT333C-CK2	
Voltage: DC 14.5V	Temperature: -10~+55°C
Working current: 600mA Stand by: 50mA	
Image display: 6" TFT	Dimension: 220x110x28mm
Mode: dual transmission	Talking time: 2 minutes

MODEL: MT360T-CK2 MT361T-CK2	
Voltage: DC 14.5V	Temperature: -10~+55°C
Working current: 300mA Stand by: 50mA	
Mode: dual transmission	Talking time: 2 minutes
Dimension: 160x120x42mm	

MODEL: MT360C-CK2 MT361C-CK2	
Voltage: DC 14.5V	Temperature: -10~+55°C
Working current: 500mA Stand by: 50mA	
Mode: dual transmission	Talking time: 2 minutes
Transmission distance < 28m, wire > 0.2mm ² Transmission distance < 50m, wire > 0.3mm ² Transmission distance < 70m, wire > 0.5mm ²	
Power supply: built-out power supply of PSU-SD5B-14V5 for each indoor monitor.	
Dimension: 160x120x42mm	

MODEL: MT18B/C-CK2 MT181B/C-CK2	
Voltage: DC 14.5V	Temperature: -10~+55°C
Working current: 600mA Stand by: 50mA	
Mode: dual transmission	Talking time: 2 minutes
Image display: 4" TFT	Dimension: 165x220x50mm

MODEL: MT350C-CK2	
Voltage: DC 14.5V	Temperature: -10~+55°C
Working current: 600mA Stand by: 50mA	
Mode: dual transmission	Talking time: 2 minutes
Image display: 6" TFT	Dimension: 220x110x25mm

MODEL: MT200 series	
Voltage: DC 14.5V	Temperature: -10~+55°C
Working current: 600mA Stand by: 50mA	
Mode: dual transmission	Talking time: 2 minutes
Dimension: 198x243x79mm	

MODEL: MT210 series	
Voltage: AC 100V~240V/50(60)Hz	Temperature: -10~+55°C
Working current: 200mA Stand by: 20mA	
Mode: dual transmission	Talking time: 2 minutes
Dimension: 205x220x50mm	

MODEL: MT8T-CK2	
Voltage: DC 14.5V	Temperature: -10~+55°C
Working current: 250mA Stand by: 50mA	
Mode: dual transmission	Talking time: 2 minutes
Dimension: 198x95x45mm	

MODEL: MT320C-CK2	
Voltage: DC 14.5V	Temperature: -10~+55°C
Working current: 700mA Stand by: 50mA	
Mode: dual transmission	Talking time: 2 minutes
Transmission distance < 28m, wire > 0.2mm ² Transmission distance < 50m, wire > 0.3mm ² Transmission distance < 70m, wire > 0.5mm ²	
Power supply: built-out power supply of PSU-SD5B-14V5 for each indoor monitor.	
Dimension: 245x160x18mm	

MODEL: MT380C-CK2 MT381C-CK2 MT382C-CK2	
Voltage: DC 14.5V	Temperature: -10°C~+55°C
Working current: 250mA Stand by: 50mA	
Mode: dual transmission	Talking time: 2 minutes
Transmission distance < 28m, wire > 0.2mm ² Transmission distance < 50m, wire > 0.3mm ² Transmission distance < 70m, wire > 0.5mm ²	