

## DS-2CD1P43G2-I(UF) 4 MP Fixed Bullet PT Network Camera



- High quality imaging with 4 MP resolution
- Pan and tilt ability that enables the camera to capture larger and interested areas
- Water and dust resistant (IP66)
- EXIR 2.0, advanced infrared technology with long IR distance
- Efficient H.265+ compression technology
- Support Human and Vehicle Detection

## ▪ Specification

| Camera                      |  |
|-----------------------------|--|
| Image Sensor                | 1/3" Progressive Scan CMOS   |
| Max. Resolution             | 2560 × 1440  |
| Shutter Time                | 1/3 s to 1/100,000 s   |
| Min. Illumination           | Color: 0.01 Lux @ (F2.0, AGC ON), B/W: 0 Lux with IR   |
| Day & Night                 | IR cut filter  |
| Angle Adjustment            | Pan: -100° to 100°, tilt: -20° to 45°  |
| Lens                        |  |
| Lens Type                   | Fixed focal lens, 2.8 and 4 mm optional  |
| Focal Length & FOV          | 2.8 mm, horizontal FOV 99°, vertical FOV 55°, diagonal FOV 116°<br>4 mm, horizontal FOV 79°, vertical FOV 43°, diagonal FOV 92°          |
| Lens Mount                  | M12  |
| Iris Type                   | Fixed  |
| Aperture                    | Max. F2.0  |
| DORI                        |  |
| DORI                        | 2.8 mm: D: 59 m, O: 23 m, R: 11 m, I: 5 m<br>4 mm: D: 79 m, O: 31 m, R: 15 m, I: 7 m   |
| Illuminator                 |  |
| Supplement Light Type       | IR   |
| Supplement Light Range      | Up to 30 m   |
| Smart Supplement Light      | Yes  |
| IR Wavelength               | 850 nm   |
| Video                       |  |
| Main Stream                 | 50 Hz:<br>20 fps (2560 × 1440)<br>25 fps (1920 × 1080, 1280 × 720)<br>60 Hz:<br>20 fps (2560 × 1440)<br>24 fps (1920 × 1080, 1280 × 720) |
| Sub-Stream                  | 50 Hz: 25 fps (1280 × 720, 640 × 480, 640 × 360)<br>60 Hz: 24 fps (1280 × 720, 640 × 480, 640 × 360)                                     |
| Video Compression           | Main stream: H.265+/H.265/H.264+/H.264<br>Sub-stream: H.265/H.264/MJPEG  |
| Video Bit Rate              | 32 Kbps to 8 Mbps  |
| H.264 Type                  | Baseline Profile/Main Profile/High Profile   |
| H.265 Type                  | Main Profile   |
| Bit Rate Control            | CBR/VBR  |
| Region of Interest (ROI)    | 1 fixed region for main stream   |
| Audio                       |  |
| Audio Type                  | -U: Mono sound   |
| Environment Noise Filtering | -U: Yes  |
| Audio Sampling Rate         | -U: 8 kHz/16 kHz   |
| Audio Compression           | -U: G.711ulaw/G.711alaw/G.722.1/G.726/MP2L2/PCM/AAC-LC   |
| Audio Bit Rate              | -U: 64 Kbps (G.711 ulaw)/64 Kbps (G.711 alaw)/16 Kbps (G.722.1)/16 Kbps (G.726)/32 to 160 Kbps (MP2L2)/16 to 64 Kbps (AAC-LC)            |

| Network                          |  |
|----------------------------------|--|
| Security                         | Password protection, complicated password, watermark, basic and digest authentication for HTTP, WSSE and digest authentication for Open Network Video Interface, security audit log, host authentication (MAC address) |
| Simultaneous Live View           | Up to 6 channels   |
| API                              | Open Network Video Interface (Profile S, Profile G (only -F model supports), Profile T), ISAPI, SDK  |
| Protocols                        | TCP/IP, ICMP, DHCP, DNS, HTTP, RTP, RTSP, NTP, IGMP, IPv6, UDP, QoS, FTP, SMTP   |
| User/Host                        | Up to 32 users<br>3 levels: Administrator, Operator and User   |
| Client                           | iVMS-4200, Hik-Connect   |
| Web Browser                      | Plug-in required live view: IE 10, IE 11<br>Local service: Chrome 57.0+, Firefox 52.0+   |
| Image                            |  |
| Wide Dynamic Range (WDR)         | 120 dB   |
| SNR                              | ≥ 52 dB  |
| Day/Night Switch                 | Day, Night, Auto, Schedule   |
| Image Enhancement                | BLC, HLC, 3D DNR   |
| Image Settings                   | Rotate mode, saturation, brightness, contrast, sharpness, gain, white balance, adjustable by client software or web browse   |
| Privacy Mask                     | 4 regions of privacy mask  |
| Interface                        |  |
| Ethernet Interface               | 1 RJ45 10 M/100 M self-adaptive Ethernet port  |
| On-Board Storage                 | -F: Built-in memory card slot, support microSD/microSDHC/microSDXC card, up to 256 GB  |
| Built-in Microphone              | -U: Yes  |
| Reset Key                        | -F: Yes  |
| Event                            |  |
| Basic Event                      | Motion detection (support alarm triggering by specified target types (human and vehicle)), video tampering alarm, exception  |
| Linkage                          | Upload to FTP/memory card (-F), send email, notify surveillance center, trigger recording (-F), trigger capture  |
| General                          |  |
| Power                            | 12 VDC ± 25%, 1.00 A, max. 12 W, Ø5.5 mm coaxial power plug, reverse polarity protection<br>PoE: 802.3af, Class 3, 36 V to 57 V, 0.33 A to 0.21 A, max. 12.5 W   |
| Material                         | Front cover: metal, body: plastic, bracket: plastic  |
| Dimension                        | 197.1 mm × 105 mm × 225.4 mm (7.8" × 4.1" × 8.9")  |
| Package Dimension                | 300 mm × 266 mm × 172 mm (11.8" × 10.4" × 6.8")  |
| Weight                           | Approx. 900 g (2.0 lb.)  |
| With Package Weight              | Approx. 1520 g (3.3 lb.)   |
| Storage Conditions               | -30 °C to 60 °C (-22 °F to 140 °F). Humidity 95% or less (non-condensing)  |
| Startup and Operating Conditions | -30 °C to 60 °C (-22 °F to 140 °F). Humidity 95% or less (non-condensing)  |
| Language                         | English, Ukrainian   |
| General Function                 | Anti-banding, heartbeat, password protection, password reset via email   |

| Approval    |   |
|-------------|---|
| EMC         | CE-EMC: EN 55032: 2015, EN 61000-3-2: 2019, EN 61000-3-3: 2013 + A1: 2019, EN 50130-4: 2011 + A1: 2014<br>RCM: AS/NZS CISPR 32: 2015<br>IC: ICES-003: Issue 7<br>KC: KN32: 2015, KN35: 2015, FCC: 47 CFR Part 15, Subpart B |
| Safety      | UL: UL 62368-1<br>CB: IEC 62368-1: 2014 + A11<br>CE-LVD: EN 62368-1: 2014/A11: 2017<br>BIS: IS 13252 (Part 1): 2010/IEC 60950-1: 2005   |
| Environment | CE-RoHS: 2011/65/EU<br>WEEE: 2012/19/EU<br>Reach: Regulation (EC) No 1907/2006  |
| Protection  | IP66: IEC 60529-2013  |

### ▪ Typical Application

Hikvision products are classified into three levels according to their anti-corrosion performance. Refer to the following description to choose for your using environment.

This model has NO SPECIFIC PROTECTION.

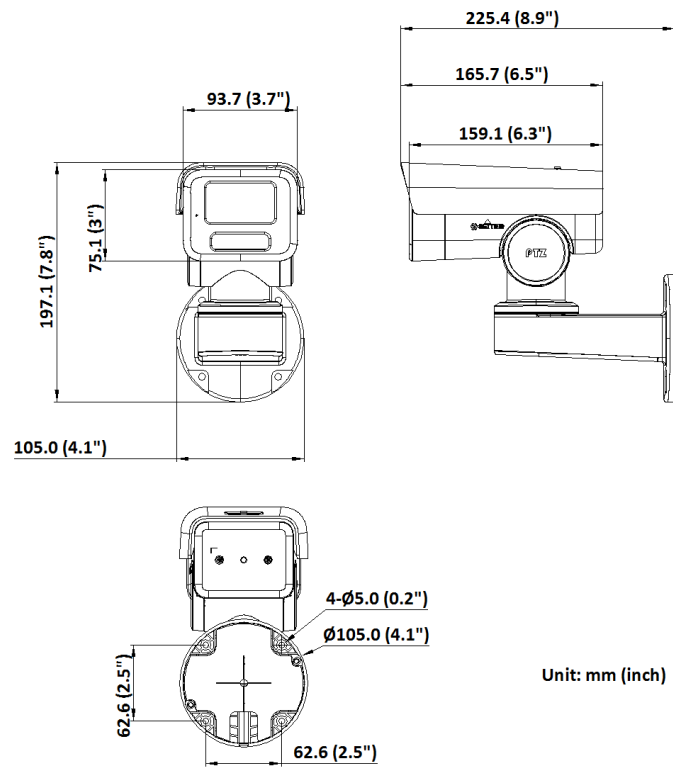
| Level                  | Description  |
|------------------------|--|
| Top-level protection   | Hikvision products at this level are equipped for use in areas where professional anti-corrosion protection is a must. Typical application scenarios include coastlines, docks, chemical plants, and more.   |
| Moderate protection    | Hikvision products at this level are equipped for use in areas with moderate anti-corrosion demands. Typical application scenarios include coastal areas about 2 kilometers (1.24 miles) away from coastlines, as well as areas affected by acid rain. |
| No specific protection | Hikvision products at this level are equipped for use in areas where no specific anti-corrosion protection is needed.  |

### ▪ Available Model

DS-2CD1P43G2-I (2.8/4 mm)

DS-2CD1P43G2-IUF (2.8/4 mm)

▪ **Dimension**



**Headquarters**

No.555 Qianmo Road, Binjiang District,  
Hangzhou 310051, China  
T +86-571-8807-5998  
www.hikvision.com



Follow us on social media to get the latest product and solution information.

