

DS-QAZ1325G1T-E
Network Horn Speaker POE 25W



- Rated Power: 25W
- Sensitivity(1 m, 1 W): 110 dB
- Max. SPL: 124 dB
- Frequency Response: 300 Hz to 8 kHz
- Support PoE
- Support schedule/live/emergency broadcast, alarm linkage, two-way audio, TTS
- White

▪ Specification

Microphone	
Type	electret
Amount	2
Frequency Response	100 Hz to 20 kHz
Sensitivity	-42 dBV/Pa
Sampling Rate	48 kHz
Quantization Bits	16-bit
Speaker	
Impedance	8 Ω
Rated Power	25W
Sensitivity(1 m, 1 W)	110 dB
Direction	70° horizontal by 100° vertical
Max. Acoustic Pressure	124 dB SPL
Frequency Response	300 Hz to 8 kHz
SNR	83 dB
Function	
Audio Algorithm	AEC, AGC, ANS, DRC
Audio Bit Rate	G.711ulaw (64 Kbps)/G.711alaw (64 Kbps)/MP3 (128 Kbps)
Audio File Format	WAV, MP3
NTP Timing	Support
Broadcast	Regular broadcast, live broadcast, emergency broadcast
Two-Way Audio	Support
Speech Synthesis	Language Type: English, Russian, Spanish, Japanese, Thai, Portuguese (Brazil)
Network	
Network Protocol	IPv4, HTTP, HTTPS, SIP, SSL/TLS, DNS, NTP, TCP, UDP, IGMP, ICMP, DHCP, ARP, SSH
Interface Protocol (API)	ISAPI, ISUP, SIP, RTP, ONVIF
Client	Hik-Connect, ivms/4200, HikCentral Professional, Hik-Partner Pro, NVR, MileStone
Communication	
Communication Method	Support wired network communication
Interface	
Alarm	Alarm input ×1
Audio	Line in × 1
Power Output	12 VDC, 25 mA (max) PoE+: max. 25 W
Network Interface	RJ45 10 M/100 M Adaptive Ethernet port × 2
Local Storage	Built-in 64 GB EMMC (Audio file storage is 55 GB.)
API	ISAPI, ISUP, SIP, ONVIF
Reset	Support
General	
Power	24 VDC, 1167 mA, 28 W, PoE: IEEE 802.3bt, Class 4
Material	Metal
Language	9 languages: English, French, Spanish, German, Italian, Russian, Japanese, Thai, Portuguese (Brazil)
Dimension	240 mm × 183 mm × 297 mm (9.43" × 7.18" × 11.7")

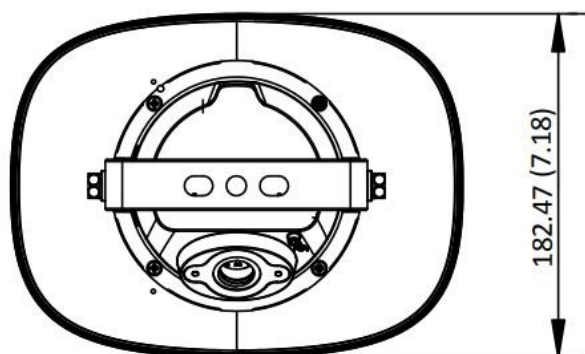
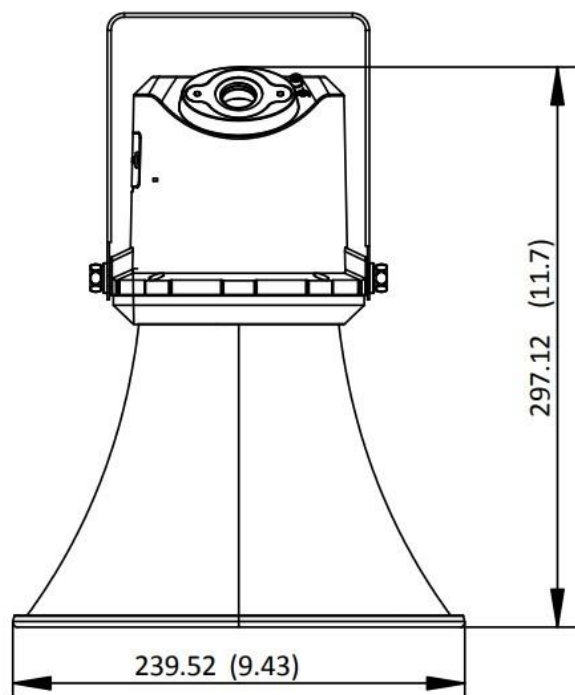
Package Dimension	310 mm × 245 mm × 400 mm (12.2" × 9.6" × 15.75")
Weight	2.860kg
With Package Weight	4.490kg
Color	White
Packing List	Device × 1 Instructions × 1 Power adapter × 1 AC power cable × 1 Threading cap × 1 Regulatory Compliance and Safety Information × 1
Operating Temperature	-30 °C to 60 °C (-22 °F to 140 °F)
Operating Humidity	< 90% (No condensation)
Approval	
Protection	IP67 IK10
EMC	CE-EMC: EN 55032:2015+A11:2020+A1:2020, EN IEC 61000-3-2:2019, EN 61000-3-3:2013+A1:2019+A2:2021, EN 55035:2017+A11:2020 RCM: AS/NZS CISPR 32: 2015 IC: ICES-003: Issue 7
Safety	CB: IEC 62368-1:2014 CE-LVD: EN 62368-1:2014/A11:2017
Environment	CE-RoHS: 2011/65/EU WEEE: 2012/19/EU Reach: Regulation (EC) No 1907/2006

▪ Available Model

DS-QAZ1325G1T-E

▪ Dimension

机型III :



See Far, Go Further



www.hikvision.com
support@hikvision.com

