

## ESP-L1300-R117

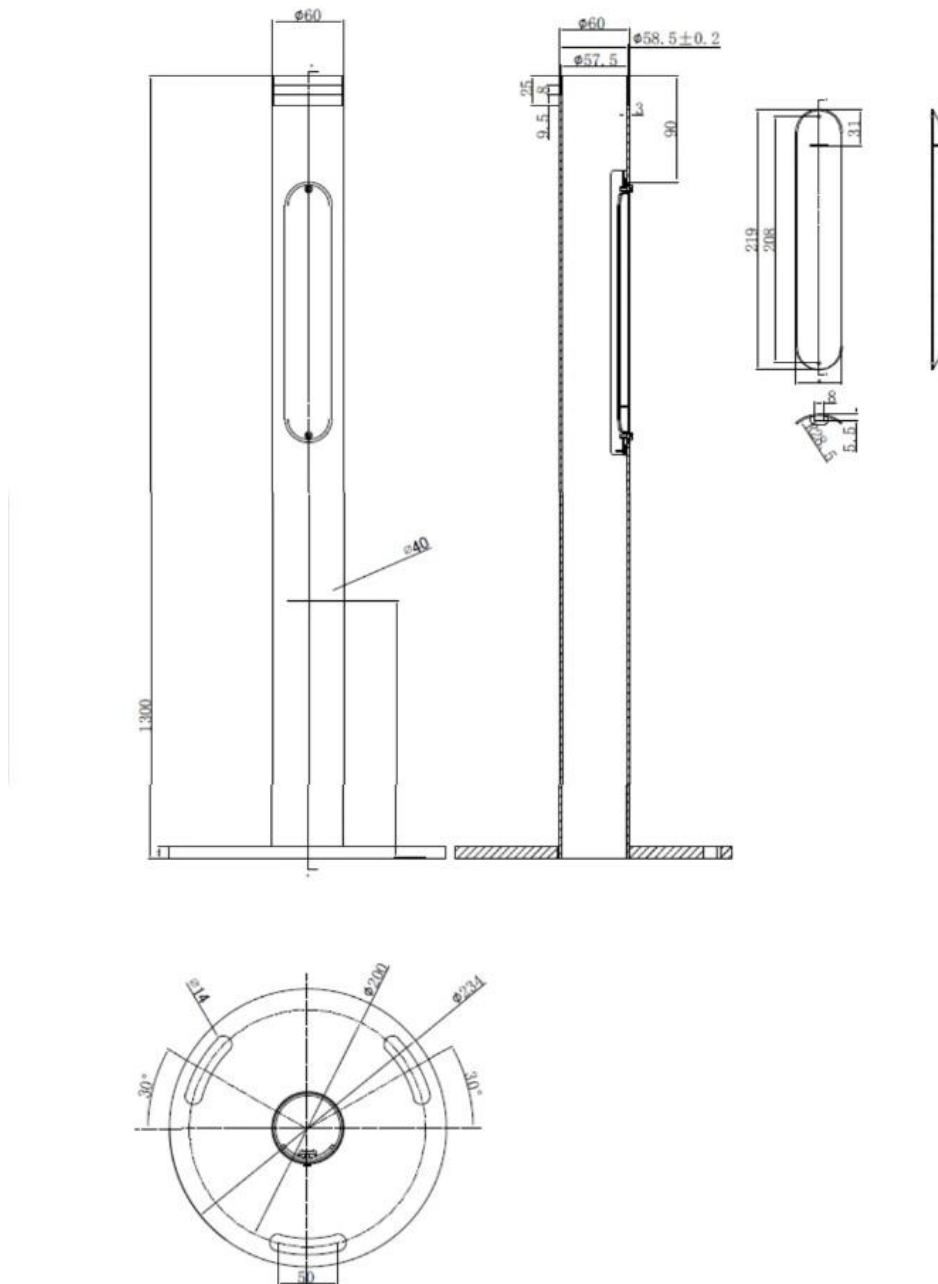
Pole for LPR Camera Unit



### Feature

- Alloy with surface spray treatment
- Adopts waterproof design
- Design of the cap enables convenient wiring

### Dimension



**Available Model**

ESP-L1300-R117(TCG225)

**Parameter**

Model	ESP-L1300-R117(TCG225)
Parameters	Pole for LPR Camera Unit
Appearance	White
Material	Q235
Dimension	Φ 60 mm × 1300 mm (Φ 2.36" × 51.18")
Weight	Approx. 8880 g (19.58 lb.)

**Note**

- The mount should be installed on a flat surface.