



12.8V / 25.6V Li-ion Battery DATASHEET

2021



Ritar International Group

10th Floor, Building 1C, Software Industry Base, Xuefu Road, Nanshan District, Shenzhen, Guangdong, China

Hengyang Ritar Power Co., Ltd.
Hengyang Rich Power Co., Ltd.

No.1 Huagong Road, Songmu Industrial Park, Shigu District, Hengyang, Hunan, 421001, China

12.8V Series (Standard product 801***)



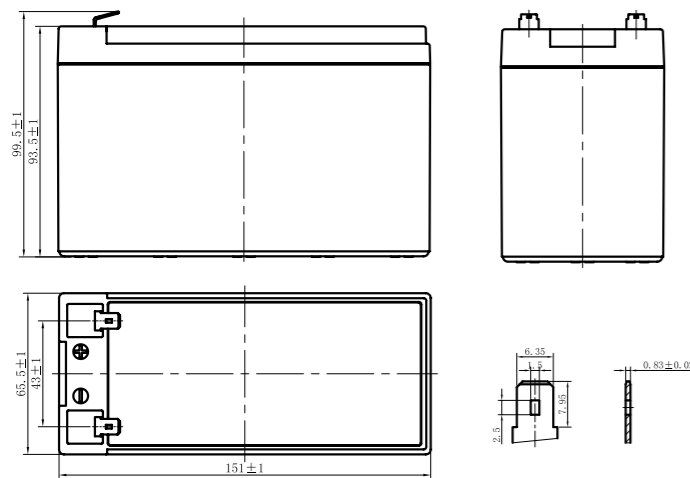
Model	Part Number	Rated Voltage [V]	Rated Capacity [Ah]	Length [mm]	Width [mm]	Height [mm]	Weight [Kg]	Terminal	Remark
R-LFP12.8V6Ah	8010128000601	12.8	6	151	65	93.5	0.82	F2	
R-LFP12.8V8Ah	8010128000801	12.8	8	151	65	93.5	0.98	F2	
R-LFP12.8V9Ah	8010128000901	12.8	9	151	65	93.5	1.1	F2	
R-LFP12.8V12Ah	8010128001201	12.8	12	151	65	93.5	1.21	F2	
R-LFP12.8V12Ah	8010128001202	12.8	12	151	98	95	1.5	F2	
R-LFP12.8V18Ah	8010128001801	12.8	18	151	98	95	1.96	F2	
R-LFP12.8V20Ah	8010128002001	12.8	20	181	77	167	2.9	F13-BP (Φ12, M5)	
R-LFP12.8V24Ah	8010128002401	12.8	24	181	77	167	3.8	F13-BP (Φ12, M5)	
R-LFP12.8V30Ah	8010128003001	12.8	30	195	130	155	5	IF11 (Φ14, M6)	
R-LFP12.8V35Ah	8010128003501	12.8	35	195	130	155	4.83	IF11 (Φ14, M6)	
R-LFP12.8V40Ah	8010128004001	12.8	40	195	130	155	4.87	IF11 (Φ14, M6)	
R-LFP12.8V40Ah	8010128004002	12.8	40	198	166	169	4.95	IF11 (Φ14, M6)	
R-LFP12.8V50Ah	8010128005001	12.8	50	198	166	169	6.5	IF11 (Φ14, M6)	
R-LFP12.8V75Ah	8010128007501	12.8	75	260	168	211	10	F12 (Φ17.5, M8)	
R-LFP12.8V80Ah	8010128008001	12.8	80	260	168	211	10	F12 (Φ17.5, M8)	
R-LFP12.8V100Ah	8010128010001	12.8	100	330	172	214	13.4	F12 (Φ17.5, M8)	
R-LFP12.8V100Ah	8010128010002	12.8	100	306	168	220	12.9	F12 (Φ17.5, M8)	
R-LFP12.8V100Ah	8010128012003	12.8	100	355	176	190	15	/	Car battery case
R-LFP12.8V100Ah	8010128012004	12.8	100	260	168	211	12.7	F12 (Φ17.5, M8)	
R-LFP12.8V135Ah	8010128013501	12.8	135	330	172	214	19	F12 (Φ17.5, M8)	
R-LFP12.8V150Ah	8010128015001	12.8	150	483	170	241	20	F12 (Φ17.5, M8)	
R-LFP12.8V200Ah	8010128020001	12.8	200	522	240	219	25.6	F10 (Φ20, M8)	
R-LFP12.8V300Ah	8010128030001	12.8	300	522	268	220	32	F10 (Φ20, M8)	

12.8V6Ah

LFP Li-ion Battery



Dimension:



Unit: mm

SAFETY

- + Cylindrical LiFePO4 cells (32700-6Ah), High consistency, long cycle life and much more safety.
- + UN38.3, CE certification for system.
- + The cycle life over 2000 times @80%DOD

DESIGN

- + ABS container, replace VRLA battery perfectly.
- + Fast charge performance.
- + -20~+55° C widely temperature range.
- + Maintenance free.

BATTERY MANAGEMENT SYSTEM (BMS)

- + Integrated hardware BMS inside.
- + Independent protection for charge and discharge.
- + Over voltage, low voltage, over temperature and short circuit protection.

12.8V6Ah

Specification

Model	R-LFP12.8V6Ah
Part Number	8010128000601
Nominal Voltage [V]	12.8
Nominal Capacity [Ah]	6
Total Energy [Wh]	76.8
Max. Charging Current [A]	6
Recommended Charging Current [A]	3
Charging Voltage [V]	14.6
Max. Discharging Current [A]	6
End of Discharge Voltage [V]	11.2
Pulse Discharge Current	12A @ 10s
Dimension [W*D*H, mm]	151*65*93.5
Weight [Kg]	0.82
Operation Humidity	0~95% RH (No condensing)
Operating Temperature Range	Charge: 0 ~ +50 °C; Discharge: -20 ~ +55 °C
BMS Protection	Over charge Over discharge, Over temperature, Short circuit
Parallel Support	Yes, Max 2 Sets
Series Support	Yes, Max 4 Sets
Cycle Life	>2000
Designed Calendar Life	>10 Years
Certification	UN38.3, CE, MSDS

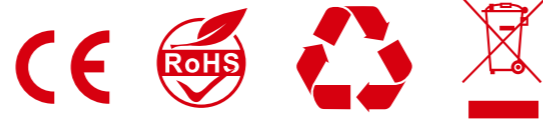
Note:
1. 80% DOD and to 80% of initial capacity.

The datasheet is subject to change without prior notification

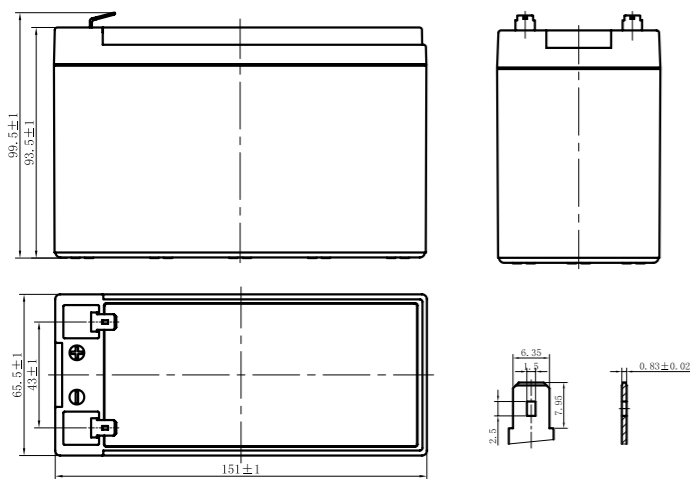
For more information, contact with: sales@ritarpower.com

12.8V8Ah

LFP Li-ion Battery



Dimension:



Unit: mm

SAFETY

- + Cylindrical LiFePO4 cells (26700-4Ah), High consistency, long cycle life and much more safety.
- + UN38.3, CE certification for system.
- + The cycle life over 2000 times @80%DOD

DESIGN

- + ABS container, replace VRLA battery perfectly.
- + Fast charge performance.
- + -20~+55° C widely temperature range.
- + Maintenance free.

BATTERY MANAGEMENT SYSTEM (BMS)

- + Integrated hardware BMS inside.
- + Independent protection for charge and discharge.
- + Over voltage, low voltage, over temperature and short circuit protection.

12.8V8Ah

Specification

Model	R-LFP12.8V8Ah
Part Number	8010128000801
Nominal Voltage [V]	12.8
Nominal Capacity [Ah]	8
Total Energy [Wh]	100.8
Max. Charging Current [A]	8
Recommended Charging Current [A]	4
Charging Voltage [V]	14.6
Max. Discharging Current [A]	8
End of Discharge Voltage [V]	11.2
Pulse Discharge Current	12A @ 10s
Dimension [W*D*H, mm]	151*65*93.5
Weight [Kg]	0.98
Operation Humidity	0~95% RH (No condensing)
Operating Temperature Range	Charge: 0 ~ +50 °C; Discharge: -20 ~ +55 °C
BMS Protection	Over charge Over discharge, Over temperature, Short circuit
Parallel Support	Yes, Max 2 Sets
Series Support	Yes, Max 4 Sets
Cycle Life	>2000
Designed Calendar Life	>10 Years
Certification	UN38.3, CE, MSDS

Note:
1. 80% DOD and to 80% of initial capacity.

The datasheet is subject to change without prior notification

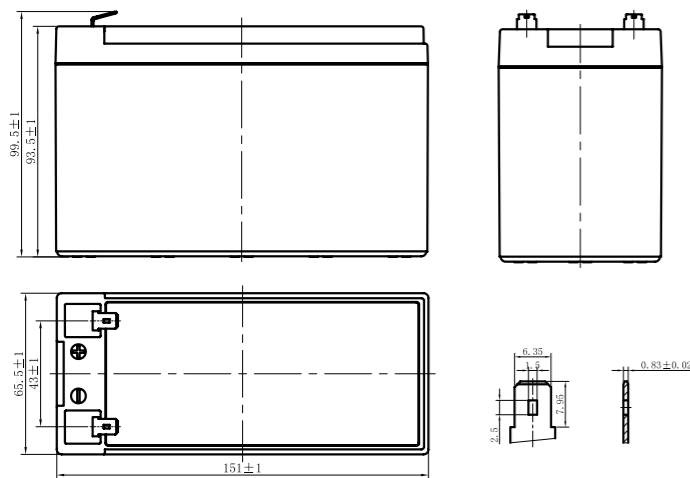
For more information, contact with: sales@ritarpower.com

12.8V9Ah

LFP Li-ion Battery



Dimension:



Unit: mm

SAFETY

- + Cylindrical LiFePO4 cells (21700-3Ah), High consistency, long cycle life and much more safety.
- + UN38.3, CE certification for system.
- + The cycle life over 2000 times @80%DOD

DESIGN

- + ABS container, replace VRLA battery perfectly.
- + Fast charge performance.
- + -20~+55° C widely temperature range.
- + Maintenance free.

BATTERY MANAGEMENT SYSTEM (BMS)

- + Integrated hardware BMS inside.
- + Independent protection for charge and discharge.
- + Over voltage, low voltage, over temperature and short circuit protection.

12.8V9Ah

Specification

Model	R-LFP12.8V9Ah
Part Number	8010128000901
Nominal Voltage [V]	12.8
Nominal Capacity [Ah]	9
Total Energy [Wh]	115.2
Max. Charging Current [A]	9
Recommended Charging Current [A]	4.5
Charging Voltage [V]	14.6
Max. Discharging Current [A]	9
End of Discharge Voltage [V]	11.2
Pulse Discharge Current	12A @ 10s
Dimension [W*D*H, mm]	151*65*93.5
Weight [Kg]	1.10
Operation Humidity	0~95% RH (No condensing)
Operating Temperature Range	Charge: 0 ~ +50 °C; Discharge: -20 ~ +55 °C
BMS Protection	Over charge Over discharge, Over temperature, Short circuit
Parallel Support	Yes, Max 2 Sets
Series Support	Yes, Max 4 Sets
Cycle Life	>2000
Designed Calendar Life	>10 Years
Certification	UN38.3, CE, MSDS

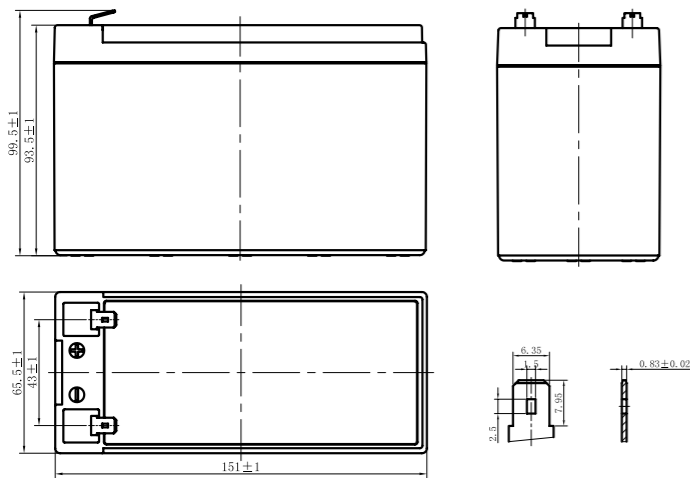
Note:
1. 80% DOD and to 80% of initial capacity.

12.8V12Ah

LFP Li-ion Battery



Dimension:



Unit: mm

SAFETY

- + Cylindrical LiFePO4 cells (21700-3Ah), High consistency, long cycle life and much more safety.
- + UN38.3, CE certification for system.
- + The cycle life over 2000 times @80%DOD

DESIGN

- + ABS container, replace VRLA battery perfectly.
- + Fast charge performance.
- + -20~+55° C widely temperature range.
- + Maintenance free.

BATTERY MANAGEMENT SYSTEM (BMS)

- + Integrated hardware BMS inside.
- + Independent protection for charge and discharge.
- + Over voltage, low voltage, over temperature and short circuit protection.

12.8V12Ah

Specification

Model	R-LFP12.8V12Ah
Part Number	8010128001201
Nominal Voltage [V]	12.8
Nominal Capacity [Ah]	12
Total Energy [Wh]	153.6
Max. Charging Current [A]	12
Recommended Charging Current [A]	6
Charging Voltage [V]	14.6
Max. Discharging Current [A]	12
End of Discharge Voltage [V]	11.2
Pulse Discharge Current	30A @ 10s
Dimension [W*D*H, mm]	151*65*93.5
Weight [Kg]	1.21
Operation Humidity	0~95% RH (No condensing)
Operating Temperature Range	Charge: 0 ~ +50 °C; Discharge: -20 ~ +55 °C
BMS Protection	Over charge Over discharge, Over temperature, Short circuit
Parallel Support	Yes, Max 2 Sets
Series Support	Yes, Max 4 Sets
Cycle Life	>2000
Designed Calendar Life	>10 Years
Certification	UN38.3, CE, MSDS

Note:

1. 80% DOD and to 80% of initial capacity.

The datasheet is subject to change without prior notification

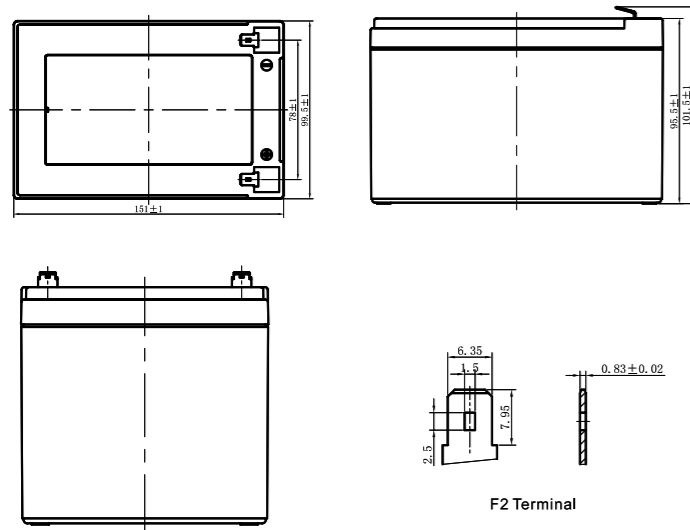
For more information, contact with: sales@ritarpower.com

12.8V12Ah

LFP Li-ion Battery



Dimension:



Unit: mm

SAFETY

- + Cylindrical LiFePO4 cells (32700-6Ah), High consistency, long cycle life and much more safety.
- + UN38.3, CE certification for system.
- + The cycle life over 2000 times @80%DOD

DESIGN

- + ABS container, replace VRLA battery perfectly.
- + Fast charge performance.
- + -20~ +55° C widely temperature range.
- + Maintenance free.

BATTERY MANAGEMENT SYSTEM (BMS)

- + Integrated hardware BMS inside.
- + Independent protection for charge and discharge.
- + Over voltage, low voltage, over temperature and short circuit protection.

12.8V12Ah

Specification

Model	R-LFP12.8V12Ah
Part Number	8010128001202
Nominal Voltage [V]	12.8
Nominal Capacity [Ah]	12
Total Energy [Wh]	153.6
Max. Charging Current [A]	12
Recommended Charging Current [A]	6
Charging Voltage [V]	14.6
Max. Discharging Current [A]	12
End of Discharge Voltage [V]	11.2
Pulse Discharge Current	30A @ 10s
Dimension [W*D*H, mm]	151*98*95
Weight [Kg]	1.50
Operation Humidity	0~95% RH (No condensing)
Operating Temperature Range	Charge: 0 ~ +50 °C; Discharge: -20 ~ +55 °C
BMS Protection	Over charge Over discharge, Over temperature, Short circuit
Parallel Support	Yes, Max 2 Sets
Series Support	Yes, Max 4 Sets
Cycle Life	>2000
Designed Calendar Life	>10 Years
Certification	UN38.3, CE, MSDS

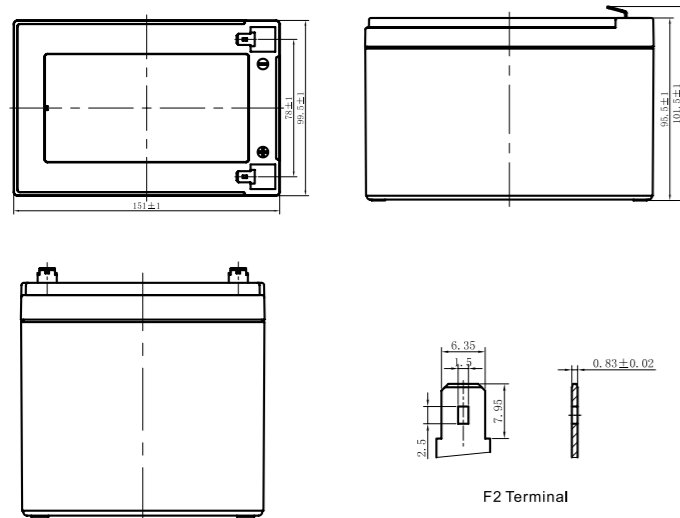
Note:
1. 80% DOD and to 80% of initial capacity.

12.8V18Ah

LFP Li-ion Battery



Dimension:



Unit: mm

SAFETY

- + Cylindrical LiFePO4 cells (32700-6Ah), High consistency, long cycle life and much more safety.
- + UN38.3, CE certification for system.
- + The cycle life over 2000 times @80%DOD

DESIGN

- + ABS container, replace VRLA battery perfectly.
- + Fast charge performance.
- + -20~+55° C widely temperature range.
- + Maintenance free.

BATTERY MANAGEMENT SYSTEM (BMS)

- + Integrated hardware BMS inside.
- + Independent protection for charge and discharge.
- + Over voltage, low voltage, over temperature and short circuit protection.

12.8V18Ah

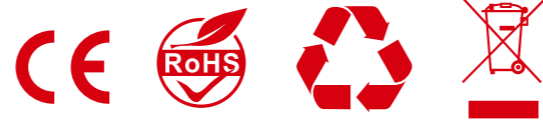
Specification

Model	R-LFP12.8V18Ah
Part Number	8010128001801
Nominal Voltage [V]	12.8
Nominal Capacity [Ah]	18
Total Energy [Wh]	230.4
Max. Charging Current [A]	18
Recommended Charging Current [A]	9
Charging Voltage [V]	14.6
Max. Discharging Current [A]	18
End of Discharge Voltage [V]	11.2
Pulse Discharge Current	50A @ 10s
Dimension [W*D*H, mm]	151*98*95
Weight [Kg]	1.96
Operation Humidity	0~95% RH (No condensing)
Operating Temperature Range	Charge: 0 ~ +50 °C; Discharge: -20 ~ +55 °C
BMS Protection	Over charge Over discharge, Over temperature, Short circuit
Parallel Support	Yes, Max 2 Sets
Series Support	Yes, Max 4 Sets
Cycle Life	>2000
Designed Calendar Life	>10 Years
Certification	UN38.3, CE, MSDS

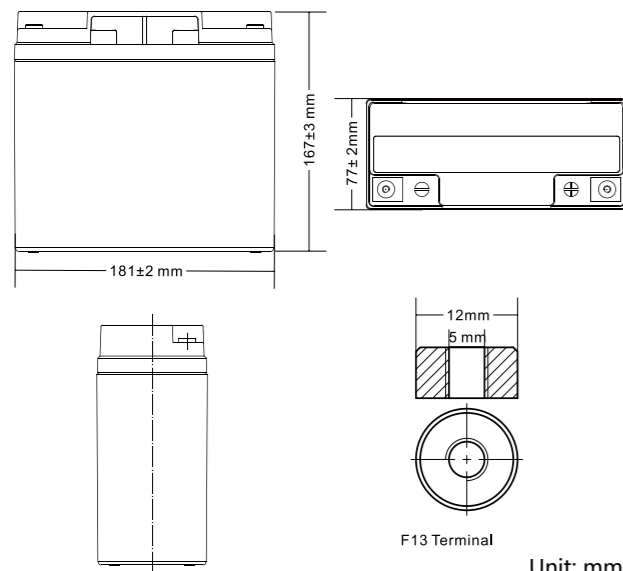
Note:
1. 80% DOD and to 80% of initial capacity.

12.8V20Ah

LFP Li-ion Battery



Dimension:



Unit: mm

SAFETY

- + Cylindrical LiFePO4 cells (32650-5Ah), High consistency, long cycle life and much more safety.
- + UN38.3, CE certification for system.
- + The cycle life over 2000 times @80%DOD

DESIGN

- + ABS container, replace VRLA battery perfectly.
- + Fast charge performance.
- + -20~+55° C widely temperature range.
- + Maintenance free.

BATTERY MANAGEMENT SYSTEM (BMS)

- + Integrated hardware BMS inside.
- + Independent protection for charge and discharge.
- + Over voltage, low voltage, over temperature and short circuit protection.

12.8V20Ah

Specification

Model	R-LFP12.8V20Ah
Part Number	8010128002001
Nominal Voltage [V]	12.8
Nominal Capacity [Ah]	20
Total Energy [Wh]	256
Max. Charging Current [A]	20
Recommended Charging Current [A]	10
Charging Voltage [V]	14.6
Max. Discharging Current [A]	20
End of Discharge Voltage [V]	11.2
Pulse Discharge Current	50A @ 10s
Dimension [W*D*H, mm]	181*77*167
Weight [Kg]	2.90
Operation Humidity	0~95% RH (No condensing)
Operating Temperature Range	Charge: 0 ~ +50 °C; Discharge: -20 ~ +55 °C
BMS Protection	Over charge Over discharge, Over temperature, Short circuit
Parallel Support	Yes, Max 2 Sets
Series Support	Yes, Max 4 Sets
Cycle Life	>2000
Designed Calendar Life	>10 Years
Certification	UN38.3, CE, MSDS

Note:
1. 80% DOD and to 80% of initial capacity.

The datasheet is subject to change without prior notification

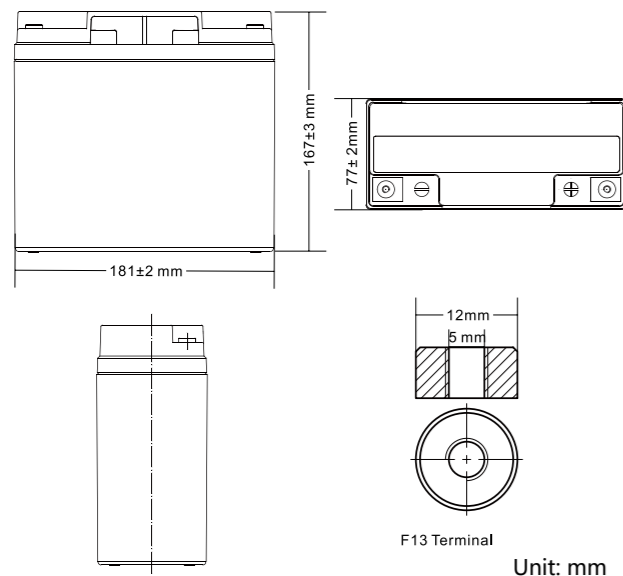
For more information, contact with: sales@ritarpower.com

12.8V24Ah

LFP Li-ion Battery



Dimension:



SAFETY

- + Cylindrical LiFePO4 cells (32700-6Ah), High consistency, long cycle life and much more safety.
- + UN38.3, CE certification for system.
- + The cycle life over 2000 times @80%DOD

DESIGN

- + ABS container, replace VRLA battery perfectly.
- + Fast charge performance.
- + -20~+55° C widely temperature range.
- + Maintenance free.

BATTERY MANAGEMENT SYSTEM (BMS)

- + Integrated hardware BMS inside.
- + Independent protection for charge and discharge.
- + Over voltage, low voltage, over temperature and short circuit protection.

Unit: mm

12.8V24Ah

Specification

Model	R-LFP12.8V24Ah
Part Number	8010128002401
Nominal Voltage [V]	12.8
Nominal Capacity [Ah]	24
Total Energy [Wh]	307.2
Max. Charging Current [A]	24
Recommended Charging Current [A]	12
Charging Voltage [V]	14.6
Max. Discharging Current [A]	24
End of Discharge Voltage [V]	11.2
Pulse Discharge Current	50A @ 10s
Dimension [W*D*H, mm]	181*77*167
Weight [Kg]	3.80
Operation Humidity	0~95% RH (No condensing)
Operating Temperature Range	Charge: 0 ~ +50 °C; Discharge: -20 ~ +55 °C
BMS Protection	Over charge Over discharge, Over temperature, Short circuit
Parallel Support	Yes, Max 2 Sets
Series Support	Yes, Max 4 Sets
Cycle Life	>2000
Designed Calendar Life	>10 Years
Certification	UN38.3, CE, MSDS

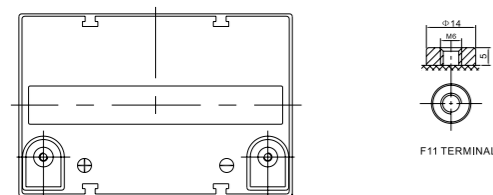
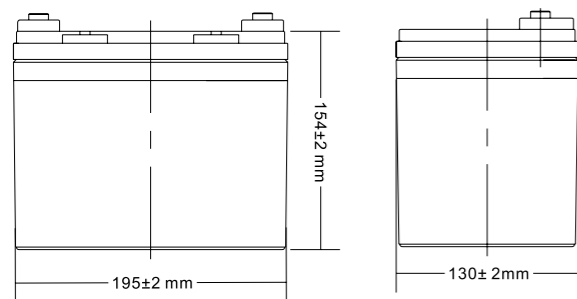
Note:
1. 80% DOD and to 80% of initial capacity.

12.8V30Ah

LFP Li-ion Battery



Dimension:



Unit: mm

SAFETY

- + Cylindrical LiFePO4 cells (32700-6Ah), High consistency, long cycle life and much more safety.
- + UN38.3, CE certification for system.
- + The cycle life over 2000 times @80%DOD

DESIGN

- + ABS container, replace VRLA battery perfectly.
- + Fast charge performance.
- + -20~+55° C widely temperature range.
- + Maintenance free.

BATTERY MANAGEMENT SYSTEM (BMS)

- + Integrated hardware BMS inside.
- + Independent protection for charge and discharge.
- + Over voltage, low voltage, over temperature and short circuit protection.

12.8V30Ah

Specification

Model	R-LFP12.8V30Ah
Part Number	8010128003001
Nominal Voltage [V]	12.8
Nominal Capacity [Ah]	30
Total Energy [Wh]	384
Max. Charging Current [A]	30
Recommended Charging Current [A]	15
Charging Voltage [V]	14.6
Max. Discharging Current [A]	30
End of Discharge Voltage [V]	11.2
Pulse Discharge Current	50A @ 10s
Dimension [W*D*H, mm]	195*130*155
Weight [Kg]	5.0
Operation Humidity	0~95% RH (No condensing)
Operating Temperature Range	Charge: 0 ~ +50 °C; Discharge: -20 ~ +55 °C
BMS Protection	Over charge Over discharge, Over temperature, Short circuit
Parallel Support	Yes, Max 2 Sets
Series Support	Yes, Max 4 Sets
Cycle Life	>2000
Designed Calendar Life	>10 Years
Certification	UN38.3, CE, MSDS

Note:
1. 80% DOD and to 80% of initial capacity.

The datasheet is subject to change without prior notification

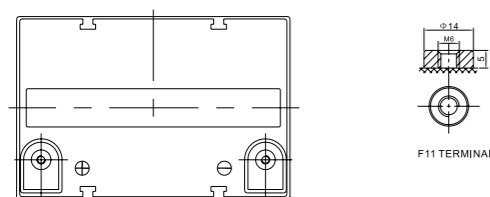
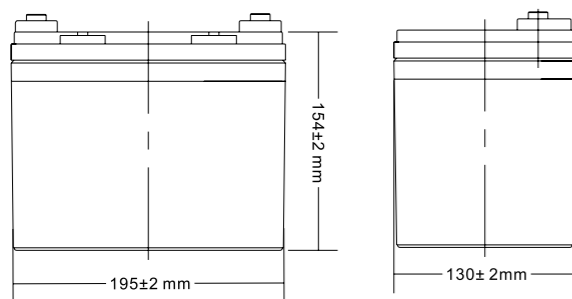
For more information, contact with: sales@ritarpower.com

12.8V35Ah

LFP Li-ion Battery



Dimension:



Unit: mm

SAFETY

- + Prismatic LiFePO4 cells (38Ah), High consistency, long cycle life and much more safety.
- + UN38.3, CE certification for system.
- + The cycle life over 3000 times @80%DOD

DESIGN

- + ABS container, replace VRLA battery perfectly.
- + Fast charge performance.
- + -20~ +55° C widely temperature range.
- + Maintenance free.

BATTERY MANAGEMENT SYSTEM (BMS)

- + Integrated hardware BMS inside.
- + Independent protection for charge and discharge.
- + Over voltage, low voltage, over temperature and short circuit protection.

12.8V35Ah

Specification

Model	R-LFP12.8V35Ah
Part Number	8010128003501
Nominal Voltage [V]	12.8
Nominal Capacity [Ah]	35
Total Energy [Wh]	448
Max. Charging Current [A]	35
Recommended Charging Current [A]	17.5
Charging Voltage [V]	14.6
Max. Discharging Current [A]	35
End of Discharge Voltage [V]	11.2
Pulse Discharge Current	50A @ 10s
Dimension [W*D*H, mm]	195*130*155
Weight [Kg]	4.83
Operation Humidity	0~95% RH (No condensing)
Operating Temperature Range	Charge: 0 ~ +50 °C; Discharge: -20 ~ +55 °C
BMS Protection	Over charge Over discharge, Over temperature, Short circuit
Parallel Support	Yes, Max 2 Sets
Series Support	Yes, Max 4 Sets
Cycle Life	>3000
Designed Calendar Life	>10 Years
Certification	UN38.3, CE, MSDS

Note:
1. 80% DOD and to 80% of initial capacity.

The datasheet is subject to change without prior notification

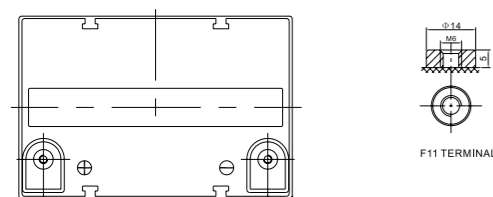
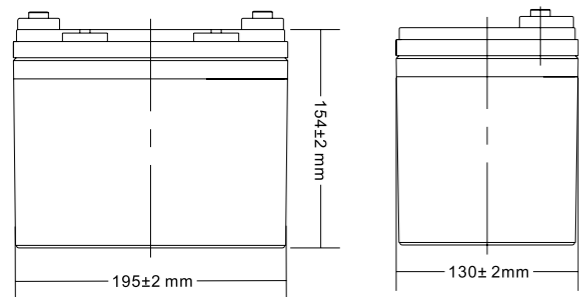
For more information, contact with: sales@ritarpower.com

12.8V40Ah

LFP Li-ion Battery



Dimension:



Unit: mm

SAFETY

- + Prismatic LiFePO4 cells (40Ah), High consistency, long cycle life and much more safety.
- + UN38.3, CE certification for system.
- + The cycle life over 3000 times @80%DOD

DESIGN

- + ABS container, replace VRLA battery perfectly.
- + Fast charge performance.
- + -20~ +55° C widely temperature range.
- + Maintenance free.

BATTERY MANAGEMENT SYSTEM (BMS)

- + Integrated hardware BMS inside.
- + Independent protection for charge and discharge.
- + Over voltage, low voltage, over temperature and short circuit protection.

12.8V40Ah

Specification

Model	R-LFP12.8V40Ah
Part Number	8010128004001
Nominal Voltage [V]	12.8
Nominal Capacity [Ah]	40
Total Energy [Wh]	512
Max. Charging Current [A]	40
Recommended Charging Current [A]	20
Charging Voltage [V]	14.6
Max. Discharging Current [A]	40
End of Discharge Voltage [V]	11.2
Pulse Discharge Current	50A @ 10s
Dimension [W*D*H, mm]	195*130*155
Weight [Kg]	4.87
Operation Humidity	0~95% RH (No condensing)
Operating Temperature Range	Charge: 0 ~ +50 °C; Discharge: -20 ~ +55 °C
BMS Protection	Over charge Over discharge, Over temperature, Short circuit
Parallel Support	Yes, Max 2 Sets
Series Support	Yes, Max 4 Sets
Cycle Life	>3000
Designed Calendar Life	>10 Years
Certification	UN38.3, CE, MSDS

Note:
1. 80% DOD and to 80% of initial capacity.

The datasheet is subject to change without prior notification

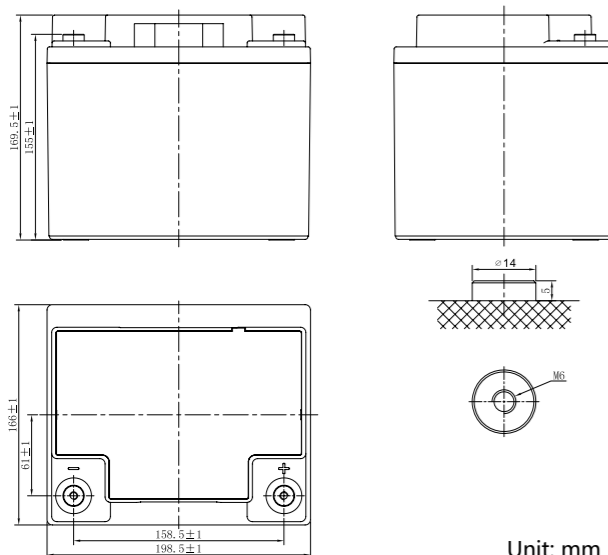
For more information, contact with: sales@ritarpower.com

12.8V40Ah

LFP Li-ion Battery



Dimension:



SAFETY

- + Prismatic LiFePO4 cells (40Ah), High consistency, long cycle life and much more safety.
- + UN38.3, CE certification for system.
- + The cycle life over 3000 times @80%DOD

DESIGN

- + ABS container, replace VRLA battery perfectly.
- + Fast charge performance.
- + -20~+55° C widely temperature range.
- + Maintenance free.

BATTERY MANAGEMENT SYSTEM (BMS)

- + Integrated hardware BMS inside.
- + Independent protection for charge and discharge.
- + Over voltage, low voltage, over temperature and short circuit protection.

Unit: mm

12.8V40Ah

Specification

Model	R-LFP12.8V40Ah
Part Number	28010128004002
Nominal Voltage [V]	12.8
Nominal Capacity [Ah]	40
Total Energy [Wh]	512
Max. Charging Current [A]	40
Recommended Charging Current [A]	20
Charging Voltage [V]	14.6
Max. Discharging Current [A]	40
End of Discharge Voltage [V]	11.2
Pulse Discharge Current	50A @ 10s
Dimension [W*D*H, mm]	195*166*169
Weight [Kg]	4.95
Operation Humidity	0~95% RH (No condensing)
Operating Temperature Range	Charge: 0 ~ +50 °C; Discharge: -20 ~ +55 °C
BMS Protection	Over charge Over discharge, Over temperature, Short circuit
Parallel Support	Yes, Max 2 Sets
Series Support	Yes, Max 4 Sets
Cycle Life	>3000
Designed Calendar Life	>10 Years
Certification	UN38.3, CE, MSDS

Note:
1. 80% DOD and to 80% of initial capacity.

The datasheet is subject to change without prior notification

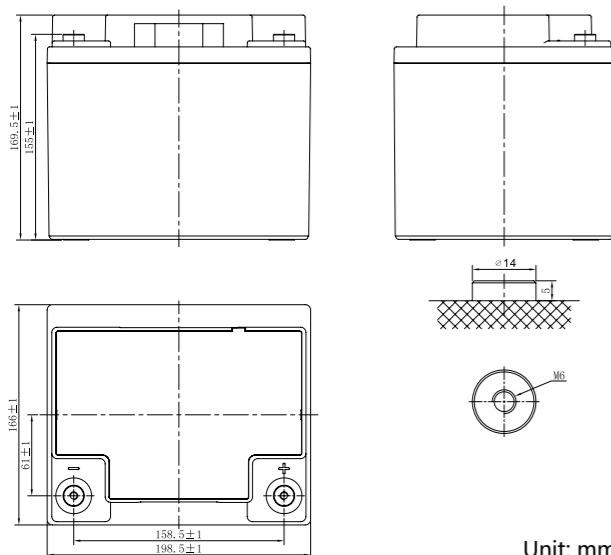
For more information, contact with: sales@ritarpower.com

12.8V50Ah

LFP Li-ion Battery



Dimension:



SAFETY

- + Prismatic LiFePO4 cells (50Ah), High consistency, long cycle life and much more safety.
- + UN38.3, CE certification for system.
- + The cycle life over 3000 times @80%DOD

DESIGN

- + ABS container, replace VRLA battery perfectly.
- + Fast charge performance.
- + -20~+55° C widely temperature range.
- + Maintenance free.

BATTERY MANAGEMENT SYSTEM (BMS)

- + Integrated hardware BMS inside.
- + Independent protection for charge and discharge.
- + Over voltage, low voltage, over temperature and short circuit protection.

12.8V50Ah

Specification

Model	R-LFP12.8V50Ah
Part Number	8010128005001
Nominal Voltage [V]	12.8
Nominal Capacity [Ah]	50
Total Energy [Wh]	640
Max. Charging Current [A]	50
Recommended Charging Current [A]	25
Charging Voltage [V]	14.6
Max. Discharging Current [A]	50
End of Discharge Voltage [V]	11.2
Pulse Discharge Current	100A @ 10s
Dimension [W*D*H, mm]	198*166*169
Weight [Kg]	6.50
Operation Humidity	0~95% RH (No condensing)
Operating Temperature Range	Charge: 0 ~ +50 °C; Discharge: -20 ~ +55 °C
BMS Protection	Over charge Over discharge, Over temperature, Short circuit
Parallel Support	Yes, Max 2 Sets
Series Support	Yes, Max 4 Sets
Cycle Life	>3000
Designed Calendar Life	>10 Years
Certification	UN38.3, CE, MSDS

Note:
1. 80% DOD and to 80% of initial capacity.

The datasheet is subject to change without prior notification

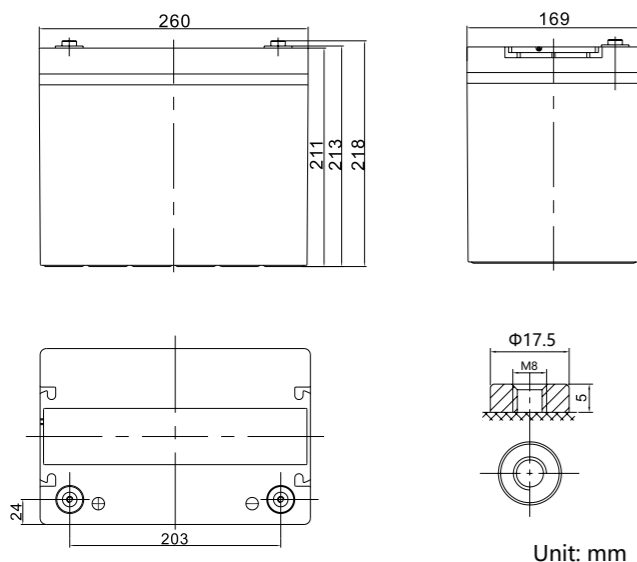
For more information, contact with: sales@ritarpower.com

12.8V75Ah

LFP Li-ion Battery



Dimension:



SAFETY

- + Prismatic LiFePO4 cells (38Ah), High consistency, long cycle life and much more safety.
- + UN38.3, CE certification for system.
- + The cycle life over 3000 times @80%DOD

DESIGN

- + ABS container, replace VRLA battery perfectly.
- + Fast charge performance.
- + -20~+55° C widely temperature range.
- + Maintenance free.

BATTERY MANAGEMENT SYSTEM (BMS)

- + Integrated hardware BMS inside.
- + Independent protection for charge and discharge.
- + Over voltage, low voltage, over temperature and short circuit protection.

Unit: mm

12.8V75Ah

Specification

Model	R-LFP12.8V75Ah
Part Number	8010128007501
Nominal Voltage [V]	12.8
Nominal Capacity [Ah]	75
Total Energy [Wh]	960
Max. Charging Current [A]	75
Recommended Charging Current [A]	37.5
Charging Voltage [V]	14.6
Max. Discharging Current [A]	75
End of Discharge Voltage [V]	11.2
Pulse Discharge Current	150A @ 10s
Dimension [W*D*H, mm]	260*168*211
Weight [Kg]	10.0
Operation Humidity	0~95% RH (No condensing)
Operating Temperature Range	Charge: 0 ~ +50 °C; Discharge: -20 ~ +55 °C
BMS Protection	Over charge Over discharge, Over temperature, Short circuit
Parallel Support	Yes, Max 2 Sets
Series Support	Yes, Max 4 Sets
Cycle Life	>3000
Designed Calendar Life	>10 Years
Certification	UN38.3, CE, MSDS

Note:
1. 80% DOD and to 80% of initial capacity.

The datasheet is subject to change without prior notification

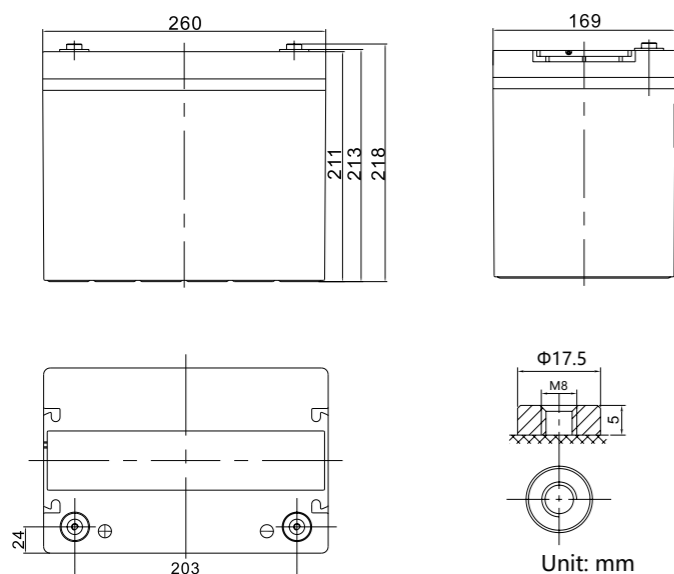
For more information, contact with: sales@ritarpower.com

12.8V80Ah

LFP Li-ion Battery



Dimension:



SAFETY

- + Prismatic LiFePO4 cells (40Ah), High consistency, long cycle life and much more safety.
- + UN38.3, CE certification for system.
- + The cycle life over 3000 times @80%DOD

DESIGN

- + ABS container, replace VRLA battery perfectly.
- + Fast charge performance.
- + -20~+55° C widely temperature range.
- + Maintenance free.

BATTERY MANAGEMENT SYSTEM (BMS)

- + Integrated hardware BMS inside.
- + Independent protection for charge and discharge.
- + Over voltage, low voltage, over temperature and short circuit protection.

Unit: mm

12.8V80Ah

Specification

Model	R-LFP12.8V80Ah
Part Number	8010128008001
Nominal Voltage [V]	12.8
Nominal Capacity [Ah]	80
Total Energy [Wh]	1024
Max. Charging Current [A]	80
Recommended Charging Current [A]	40
Charging Voltage [V]	14.6
Max. Discharging Current [A]	80
End of Discharge Voltage [V]	11.2
Pulse Discharge Current	150A @ 10s
Dimension [W*D*H, mm]	260*168*211
Weight [Kg]	10.0
Operation Humidity	0~95% RH (No condensing)
Operating Temperature Range	Charge: 0 ~ +50 °C; Discharge: -20 ~ +55 °C
BMS Protection	Over charge Over discharge, Over temperature, Short circuit
Parallel Support	Yes, Max 2 Sets
Series Support	Yes, Max 4 Sets
Cycle Life	>3000
Designed Calendar Life	>10 Years
Certification	UN38.3, CE, MSDS

Note:
1. 80% DOD and to 80% of initial capacity.

The datasheet is subject to change without prior notification

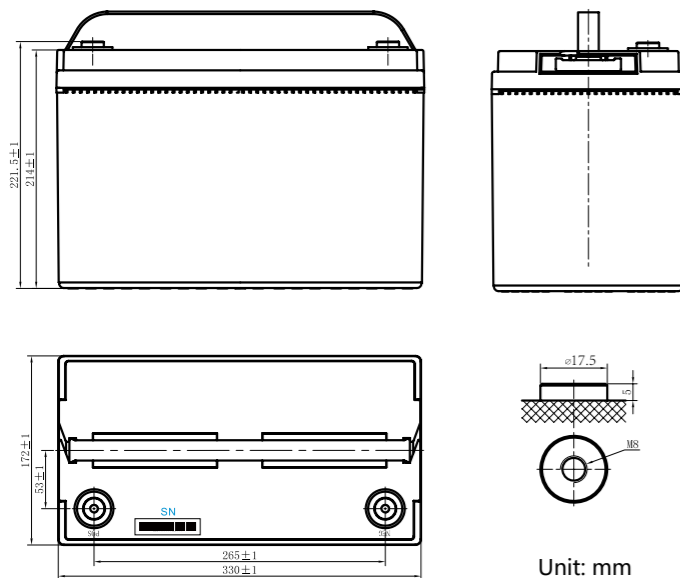
For more information, contact with: sales@ritarpower.com

12.8V 100Ah

LFP Li-ion Battery



Dimension:



SAFETY

- + Prismatic LiFePO4 cells (50Ah), High consistency, long cycle life and much more safety.
- + UN38.3, CE certification for system.
- + The cycle life over 3000 times @80%DOD

DESIGN

- + ABS container, replace VRLA battery perfectly.
- + Fast charge performance.
- + -20~ +55° C widely temperature range.
- + Maintenance free.

BATTERY MANAGEMENT SYSTEM (BMS)

- + Integrated hardware BMS inside.
- + Independent protection for charge and discharge.
- + Over voltage, low voltage, over temperature and short circuit protection.

12.8V100Ah

Specification

Model	R-LFP12.8V100Ah
Part Number	8010128010001
Nominal Voltage [V]	12.8
Nominal Capacity [Ah]	100
Total Energy [Wh]	1280
Max. Charging Current [A]	100
Recommended Charging Current [A]	50
Charging Voltage [V]	14.6
Max. Discharging Current [A]	100
End of Discharge Voltage [V]	11.2
Pulse Discharge Current	270A @ 10s
Dimension [W*D*H, mm]	330*172*214
Weight [Kg]	13.4
Operation Humidity	0~95% RH (No condensing)
Operating Temperature Range	Charge: 0 ~ +50 °C; Discharge: -20 ~ +55 °C
BMS Protection	Over charge Over discharge, Over temperature, Short circuit
Parallel Support	Yes, Max 2 Sets
Series Support	Yes, Max 4 Sets
Cycle Life	>3000
Designed Calendar Life	>10 Years
Certification	UN38.3, CE, MSDS

Note:
1. 80% DOD and to 80% of initial capacity.

The datasheet is subject to change without prior notification

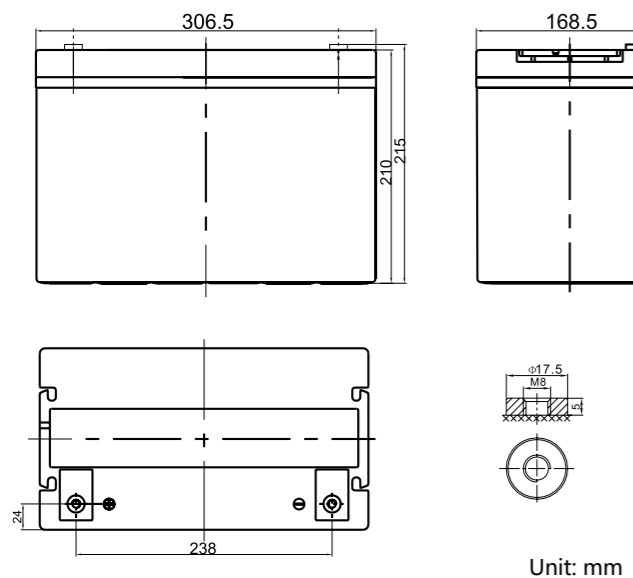
For more information, contact with: sales@ritarpower.com

12.8V100Ah

LFP Li-ion Battery



Dimension:



SAFETY

- + Prismatic LiFePO4 cells (50Ah), High consistency, long cycle life and much more safety.
- + UN38.3, CE certification for system.
- + The cycle life over 3000 times @80%DOD

DESIGN

- + ABS container, replace VRLA battery perfectly.
- + Fast charge performance.
- + -20~+55° C widely temperature range.
- + Maintenance free.

BATTERY MANAGEMENT SYSTEM (BMS)

- + Integrated hardware BMS inside.
- + Independent protection for charge and discharge.
- + Over voltage, low voltage, over temperature and short circuit protection.

12.8V100Ah

Specification

Model	R-LFP12.8V100Ah
Part Number	8010128010002
Nominal Voltage [V]	12.8
Nominal Capacity [Ah]	100
Total Energy [Wh]	1280
Max. Charging Current [A]	100
Recommended Charging Current [A]	50
Charging Voltage [V]	14.6
Max. Discharging Current [A]	100
End of Discharge Voltage [V]	11.2
Pulse Discharge Current	270A @ 10s
Dimension [W*D*H, mm]	306*168*210
Weight [Kg]	12.9
Operation Humidity	0~95% RH (No condensing)
Operating Temperature Range	Charge: 0 ~ +50 °C; Discharge: -20 ~ +55 °C
BMS Protection	Over charge Over discharge, Over temperature, Short circuit
Parallel Support	Yes, Max 2 Sets
Series Support	Yes, Max 4 Sets
Cycle Life	>3000
Designed Calendar Life	>10 Years
Certification	UN38.3, CE, MSDS

Note:
1. 80% DOD and to 80% of initial capacity.

The datasheet is subject to change without prior notification

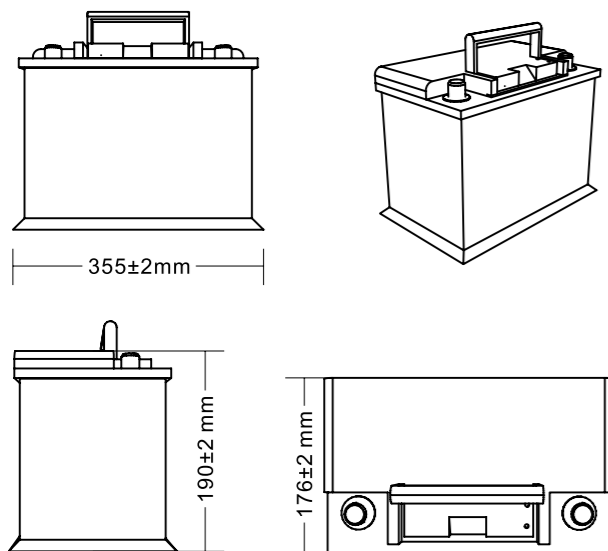
For more information, contact with: sales@ritarpower.com

12.8V 100Ah

LFP Li-ion Battery



Dimension:



Unit: mm

SAFETY

- + Prismatic LiFePO4 cells (50Ah), High consistency, long cycle life and much more safety.
- + UN38.3, CE certification for system.
- + The cycle life over 3000 times @80%DOD

DESIGN

- + ABS container, replace VRLA battery perfectly.
- + Fast charge performance.
- + -20~ +55° C widely temperature range.
- + Maintenance free.

BATTERY MANAGEMENT SYSTEM (BMS)

- + Integrated hardware BMS inside.
- + Independent protection for charge and discharge.
- + Over voltage, low voltage, over temperature and short circuit protection.

12.8V100Ah

Specification

Model	R-LFP12.8V100Ah
Part Number	8010128010003
Nominal Voltage [V]	12.8
Nominal Capacity [Ah]	100
Total Energy [Wh]	1280
Max. Charging Current [A]	100
Recommended Charging Current [A]	50
Charging Voltage [V]	14.6
Max. Discharging Current [A]	100
End of Discharge Voltage [V]	11.2
Pulse Discharge Current	270A @ 10s
Dimension [W*D*H, mm]	355*176*190
Weight [Kg]	15.0
Operation Humidity	0~95% RH (No condensing)
Operating Temperature Range	Charge: 0 ~ +50 °C; Discharge: -20 ~ +55 °C
BMS Protection	Over charge Over discharge, Over temperature, Short circuit
Parallel Support	Yes, Max 2 Sets
Series Support	Yes, Max 4 Sets
Cycle Life	>3000
Designed Calendar Life	>10 Years
Certification	UN38.3, CE, MSDS

Note:
1. 80% DOD and to 80% of initial capacity.

The datasheet is subject to change without prior notification

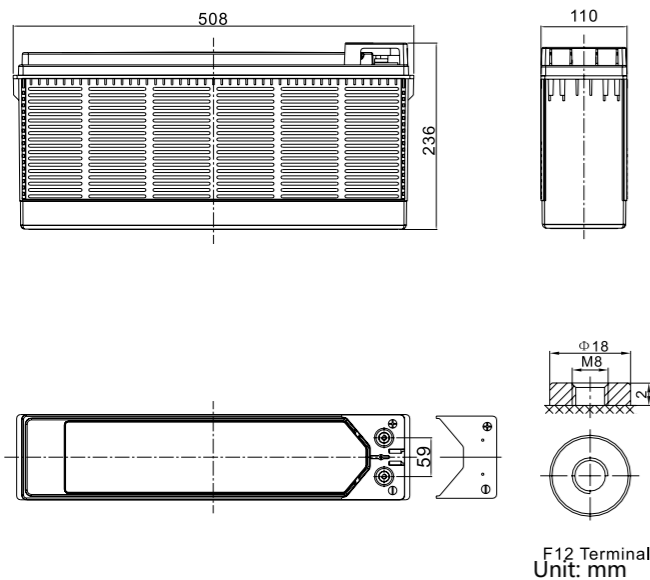
For more information, contact with: sales@ritarpower.com

12.8V 100Ah

LFP Li-ion Battery



Dimension:



SAFETY

- + Prismatic LiFePO4 cells (50Ah), High consistency, long cycle life and much more safety.
- + UN38.3, CE certification for system.
- + The cycle life over 3000 times @80%DOD

DESIGN

- + ABS container, replace VRLA battery perfectly.
- + Fast charge performance.
- + -20~+55° C widely temperature range.
- + Maintenance free.

BATTERY MANAGEMENT SYSTEM (BMS)

- + Integrated hardware BMS inside.
- + Independent protection for charge and discharge.
- + Over voltage, low voltage, over temperature and short circuit protection.

12.8V100Ah

Specification

Model	R-LFP12.8V100Ah
Part Number	8010128010004
Nominal Voltage [V]	12.8
Nominal Capacity [Ah]	100
Total Energy [Wh]	1280
Max. Charging Current [A]	100
Recommended Charging Current [A]	50
Charging Voltage [V]	14.6
Max. Discharging Current [A]	100
End of Discharge Voltage [V]	11.2
Pulse Discharge Current	270A @ 10s
Dimension [W*D*H, mm]	151*65*93.5
Weight [Kg]	14.5
Operation Humidity	0~95% RH (No condensing)
Operating Temperature Range	Charge: 0 ~ +50 °C; Discharge: -20 ~ +55 °C
BMS Protection	Over charge Over discharge, Over temperature, Short circuit
Parallel Support	Yes, Max 2 Sets
Series Support	Yes, Max 4 Sets
Cycle Life	>3000
Designed Calendar Life	>10 Years
Certification	UN38.3, CE, MSDS

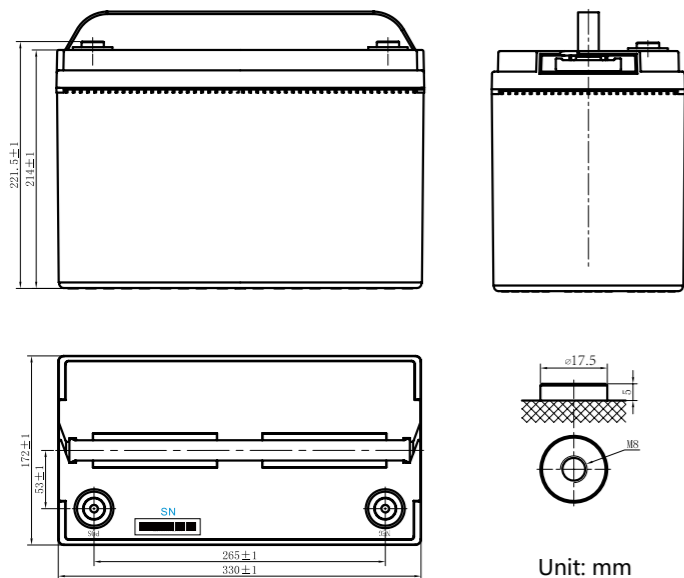
Note:
1. 80% DOD and to 80% of initial capacity.

12.8V135Ah

LFP Li-ion Battery



Dimension:



SAFETY

- + Prismatic LiFePO4 cells (135Ah), High consistency, long cycle life and much more safety.
- + UN38.3, CE certification for system.
- + The cycle life over 3000 times @80%DOD

DESIGN

- + ABS container, replace VRLA battery perfectly.
- + Fast charge performance.
- + -20~+55° C widely temperature range.
- + Maintenance free.

BATTERY MANAGEMENT SYSTEM (BMS)

- + Integrated hardware BMS inside.
- + Independent protection for charge and discharge.
- + Over voltage, low voltage, over temperature and short circuit protection.

12.8V135Ah

Specification

Model	R-LFP12.8V135Ah
Part Number	8010128013501
Nominal Voltage [V]	12.8
Nominal Capacity [Ah]	135
Total Energy [Wh]	1728
Max. Charging Current [A]	100
Recommended Charging Current [A]	67.5
Charging Voltage [V]	14.6
Max. Discharging Current [A]	100
End of Discharge Voltage [V]	11.2
Pulse Discharge Current	270A @ 10s
Dimension [W*D*H, mm]	330*172*214
Weight [Kg]	19.0
Operation Humidity	0~95% RH (No condensing)
Operating Temperature Range	Charge: 0 ~ +50 °C; Discharge: -20 ~ +55 °C
BMS Protection	Over charge Over discharge, Over temperature, Short circuit
Parallel Support	Yes, Max 2 Sets
Series Support	Yes, Max 4 Sets
Cycle Life	>3000
Designed Calendar Life	>10 Years
Certification	UN38.3, CE, MSDS

Note:
1. 80% DOD and to 80% of initial capacity.

The datasheet is subject to change without prior notification

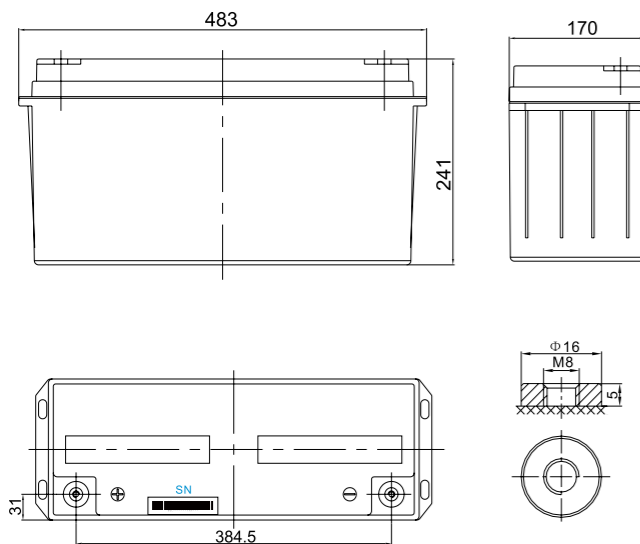
For more information, contact with: sales@ritarpower.com

12.8V150Ah

LFP Li-ion Battery



Dimension:



Unit: mm

SAFETY

- + Prismatic LiFePO4 cells (50Ah), High consistency, long cycle life and much more safety.
- + UN38.3, CE certification for system.
- + The cycle life over 3500 times @80%DOD

DESIGN

- + ABS container, replace VRLA battery perfectly.
- + Fast charge performance.
- + -20~+55° C widely temperature range.
- + Maintenance free.

BATTERY MANAGEMENT SYSTEM (BMS)

- + Integrated hardware BMS inside.
- + Independent protection for charge and discharge.
- + Over voltage, low voltage, over temperature and short circuit protection.

12.8V150Ah

Specification

Model	R-LFP12.8V150Ah
Part Number	8010128015001
Nominal Voltage [V]	12.8
Nominal Capacity [Ah]	150
Total Energy [Wh]	1920
Max. Charging Current [A]	100
Recommended Charging Current [A]	75
Charging Voltage [V]	14.6
Max. Discharging Current [A]	100
End of Discharge Voltage [V]	11.2
Pulse Discharge Current	270A @ 10s
Dimension [W*D*H, mm]	483*170*241
Weight [Kg]	20.00
Operation Humidity	0~95% RH (No condensing)
Operating Temperature Range	Charge: 0 ~ +50 °C; Discharge: -20 ~ +55 °C
BMS Protection	Over charge Over discharge, Over temperature, Short circuit
Parallel Support	Yes, Max 2 Sets
Series Support	Yes, Max 4 Sets
Cycle Life	>3500
Designed Calendar Life	>10 Years
Certification	UN38.3, CE, MSDS

Note:

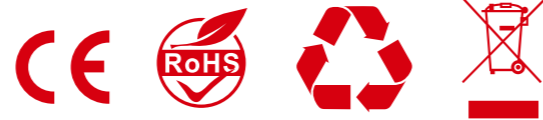
1. 80% DOD and to 80% of initial capacity.

The datasheet is subject to change without prior notification

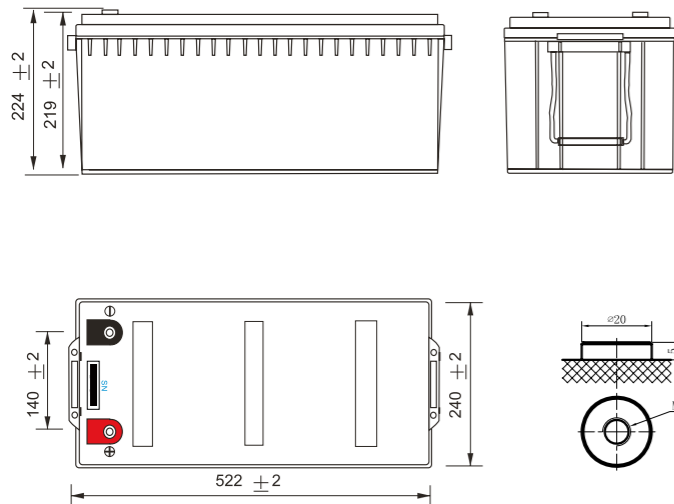
For more information, contact with: sales@ritarpower.com

12.8V200Ah

LFP Li-ion Battery



Dimension:



Unit: mm

SAFETY

- + Prismatic LiFePO4 cells (205Ah), High consistency, long cycle life and much more safety.
- + UN38.3, CE certification for system.
- + The cycle life over 3500 times @80%DOD

DESIGN

- + ABS container, replace VRLA battery perfectly.
- + Fast charge performance.
- + -20~+55° C widely temperature range.
- + Maintenance free.

BATTERY MANAGEMENT SYSTEM (BMS)

- + Integrated hardware BMS inside.
- + Independent protection for charge and discharge.
- + Over voltage, low voltage, over temperature and short circuit protection.

12.8V200Ah

Specification

Model	R-LFP12.8V200Ah
Part Number	8010128020001
Nominal Voltage [V]	12.8
Nominal Capacity [Ah]	200
Total Energy [Wh]	2560
Max. Charging Current [A]	100
Recommended Charging Current [A]	80
Charging Voltage [V]	14.6
Max. Discharging Current [A]	100
End of Discharge Voltage [V]	11.2
Pulse Discharge Current	270A @ 10s
Dimension [W*D*H, mm]	522*240*219
Weight [Kg]	25.6
Operation Humidity	0~95% RH (No condensing)
Operating Temperature Range	Charge: 0 ~ +50 °C; Discharge: -20 ~ +55 °C
BMS Protection	Over charge Over discharge, Over temperature, Short circuit
Parallel Support	Yes, Max 2 Sets
Series Support	Yes, Max 4 Sets
Cycle Life	>3500
Designed Calendar Life	>10 Years
Certification	UN38.3, CE, MSDS

Note:
1. 80% DOD and to 80% of initial capacity.

The datasheet is subject to change without prior notification

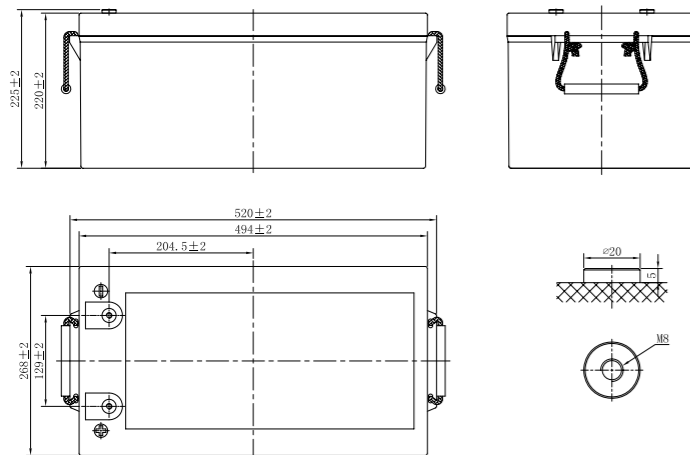
For more information, contact with: sales@ritarpower.com

12.8V 300Ah

LFP Li-ion Battery



Dimension:



Unit: mm

SAFETY

- + Prismatic LiFePO4 cells (100Ah), High consistency, long cycle life and much more safety.
- + UN38.3, CE certification for system.
- + The cycle life over 3500 times @80%DOD

DESIGN

- + ABS container, replace VRLA battery perfectly.
- + Fast charge performance.
- + -20~+55° C widely temperature range.
- + Maintenance free.

BATTERY MANAGEMENT SYSTEM (BMS)

- + Integrated hardware BMS inside.
- + Independent protection for charge and discharge.
- + Over voltage, low voltage, over temperature and short circuit protection.

12.8V300Ah

Specification

Model	R-LFP12.8V300Ah
Part Number	8010128030001
Nominal Voltage [V]	12.8
Nominal Capacity [Ah]	300
Total Energy [Wh]	3840
Max. Charging Current [A]	100
Recommended Charging Current [A]	80
Charging Voltage [V]	14.6
Max. Discharging Current [A]	100
End of Discharge Voltage [V]	11.2
Pulse Discharge Current	270A @ 10s
Dimension [W*D*H, mm]	522*268*220
Weight [Kg]	32.00
Operation Humidity	0~95% RH (No condensing)
Operating Temperature Range	Charge: 0 ~ +50 °C; Discharge: -20 ~ +55 °C
BMS Protection	Over charge Over discharge, Over temperature, Short circuit
Parallel Support	Yes, Max 2 Sets
Series Support	Yes, Max 4 Sets
Cycle Life	>3500
Designed Calendar Life	>10 Years
Certification	UN38.3, CE, MSDS

Note:
1. 80% DOD and to 80% of initial capacity.

12.8V Series (Bluetooth product 811***, High Current Product 911**)



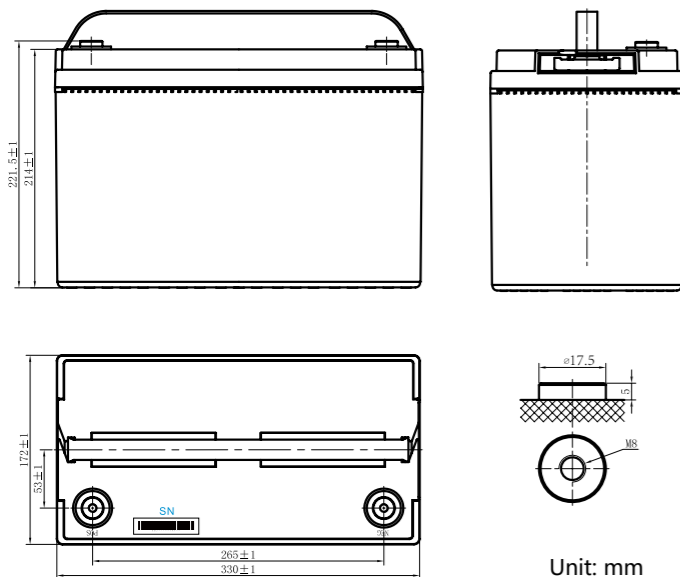
Model	Part Number	Rated Voltage [V]	Rated Capacity [Ah]	Length [mm]	Width [mm]	Height [mm]	Weight [Kg]	Terminal	Remark
R-LFP12.8V100Ah	8110128012001	12.8	100	330	172	214	13.4	F12 (Φ17.5, M8)	Bluetooth
R-LFP12.8V135Ah	8110128013501	12.8	135	330	172	214	19	F12 (Φ17.5, M8)	Bluetooth
R-LFP12.8V150Ah	8110128015001	12.8	150	483	170	241	20	F12 (Φ17.5, M8)	Bluetooth
R-LFP12.8V150Ah	9110128015001	12.8	150	483	170	241	20	F12 (Φ17.5, M8)	150A discharge current
R-LFP12.8V200Ah	9110128020001	12.8	200	522	240	219	25.6	F10 (Φ20, M8)	150A discharge current

12.8V 100Ah

Bluetooth Battery



Dimension:



SAFETY

- + Prismatic LiFePO4 cells, High consistency, long cycle life and much more safety.
- + UN38.3, CE certification for system.
- + The cycle life over 3000 times @80%DOD

DESIGN

- + ABS container, replace VRLA battery perfectly.
- + Fast charge performance.
- + -20~+55° C widely temperature range.
- + Maintenance free.

BATTERY MANAGEMENT SYSTEM (BMS)

- + Integrated hardware BMS inside.
- + Independent protection for charge and discharge.
- + Over voltage, low voltage, Over Current, Over temperature, Low temperature and short circuit protection.
- + Bluetooth communication, APP for Android and iPhone.

Unit: mm

12.8V 100Ah

Specification

Model	R-LFP12.8V100Ah
Part Number	8110128010001
Nominal Voltage [V]	12.8
Nominal Capacity [Ah]	100
Total Energy [Wh]	1280
Max. Charging Current [A]	100
Recommended Charging Current [A]	50
Charging Voltage [V]	14.6
Max. Discharging Current [A]	100
End of Discharge Voltage [V]	11.2
Pulse Discharge Current	300A @ 1s
Dimension [W*D*H, mm]	330*172*214
Weight [Kg]	13.4
Operation Humidity	0~95% RH (No condensing)
Operating Temperature Range	Charge: 0 ~ +50 °C ; Discharge: -20 ~ +55 °C
BMS Protection	Over charge Over discharge, Over current (Charge 110A@1s, Discharge 300A@1s) Over temperature (Charge 65°C ,Discharge 75°C)
Parallel Support	No Support
Series Support	Yes, Max 4 Sets
Cycle Life	> 3000
Designed Calendar Life	>10 Years
Communication	Bluetooth (APP for Android and iPhone)

Note:
1. 80% DOD and to 80% of initial capacity.

The datasheet is subject to change without prior notification

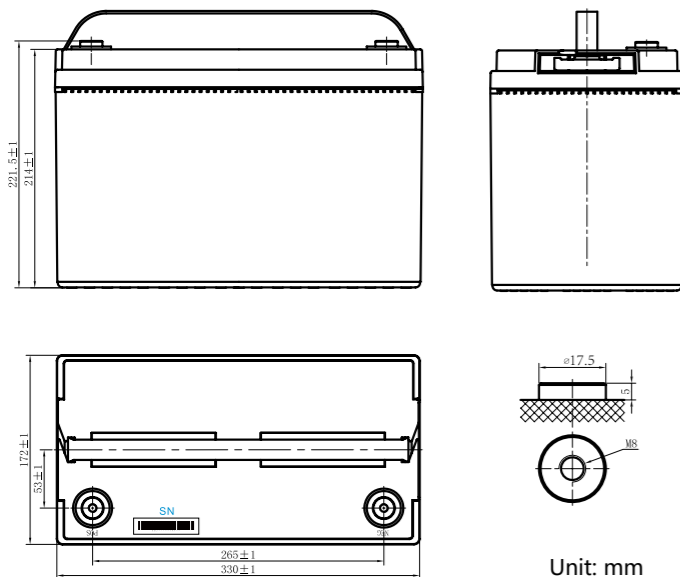
For more information, contact with: sales@ritarpower.com

12.8V 135Ah

Bluetooth Battery



Dimension:



SAFETY

- + Prismatic LiFePO4 cells, High consistency, long cycle life and much more safety.
- + UN38.3, CE certification for system.
- + The cycle life over 3000 times @80%DOD

DESIGN

- + ABS container, replace VRLA battery perfectly.
- + Fast charge performance.
- + -20~+55° C widely temperature range.
- + Maintenance free.

BATTERY MANAGEMENT SYSTEM (BMS)

- + Integrated hardware BMS inside.
- + Independent protection for charge and discharge.
- + Over voltage, low voltage, Over Current, Over temperature, Low temperature and short circuit protection.
- + Bluetooth communication, APP for Android and iPhone.

12.8V 135Ah

Specification

Model	R-LFP12.8V135Ah
Part Number	8110128013501
Nominal Voltage [V]	12.8
Nominal Capacity [Ah]	100
Total Energy [Wh]	1728
Max. Charging Current [A]	100
Recommended Charging Current [A]	67.5
Charging Voltage [V]	14.6
Max. Discharging Current [A]	100
End of Discharge Voltage [V]	11.2
Pulse Discharge Current	300A @ 1s
Dimension [W*D*H, mm]	330*172*214
Weight [Kg]	19.0
Operation Humidity	0~95% RH (No condensing)
Operating Temperature Range	Charge: 0 ~ +50 °C ; Discharge: -20 ~ +55 °C
BMS Protection	Over charge Over discharge, Over current (Charge 110A@1s, Discharge 300A@1s) Over temperature (Charge 65°C ,Discharge 75°C)
Parallel Support	No Support
Series Support	Yes, Max 4 Sets
Cycle Life	> 3000
Designed Calendar Life	>10 Years
Communication	Bluetooth (APP for Android and iPhone)

Note:
1. 80% DOD and to 80% of initial capacity.

The datasheet is subject to change without prior notification

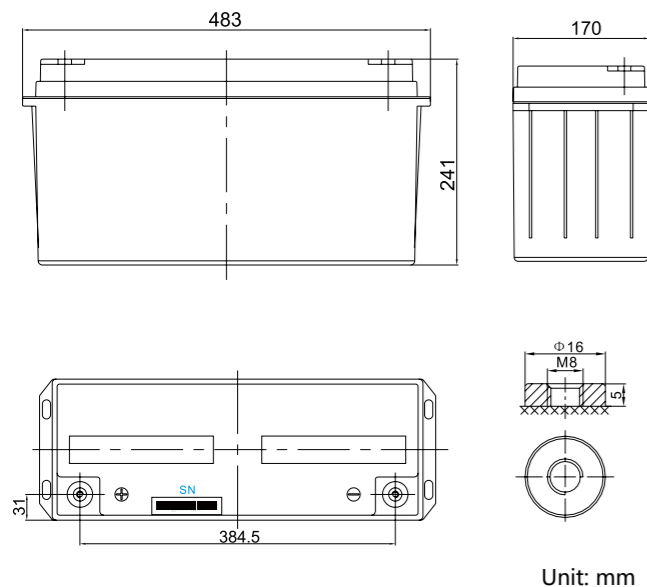
For more information, contact with: sales@ritarpower.com

12.8V 150Ah

Bluetooth Battery



Dimension:



SAFETY

- + Prismatic LiFePO4 cells, High consistency, long cycle life and much more safety.
- + UN38.3, CE certification for system.
- + The cycle life over 3000 times @80%DOD

DESIGN

- + ABS container, replace VRLA battery perfectly.
- + Fast charge performance.
- + -20~+55° C widely temperature range.
- + Maintenance free.

BATTERY MANAGEMENT SYSTEM (BMS)

- + Integrated hardware BMS inside.
- + Independent protection for charge and discharge.
- + Over voltage, low voltage, Over Current, Over temperature, Low temperature and short circuit protection.
- + Bluetooth communication, APP for Android and iPhone.

12.8V 150Ah

Specification

Model	R-LFP12.8V150Ah
Part Number	8110128015001
Nominal Voltage [V]	12.8
Nominal Capacity [Ah]	150
Total Energy [Wh]	1920
Max. Charging Current [A]	100
Recommended Charging Current [A]	75
Charging Voltage [V]	14.6
Max. Discharging Current [A]	100
End of Discharge Voltage [V]	11.2
Pulse Discharge Current	300A @ 1s
Dimension [W*D*H, mm]	483*170*241
Weight [Kg]	19.0
Operation Humidity	0~95% RH (No condensing)
Operating Temperature Range	Charge: 0 ~ +50 °C; Discharge: -20 ~ +55 °C
BMS Protection	Over charge Over discharge, Over current (Charge 110A@1s, Discharge 300A@1s) Over temperature (Charge 65°C ,Discharge 75°C)
Parallel Support	No Support
Series Support	Yes, Max 4 Sets
Cycle Life	> 3000
Designed Calendar Life	>10 Years
Communication	Bluetooth (APP for Android and iPhone)

Note:
1. 80% DOD and to 80% of initial capacity.

The datasheet is subject to change without prior notification

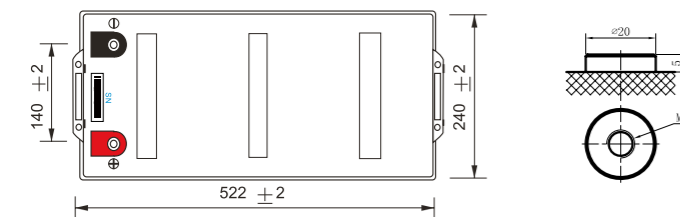
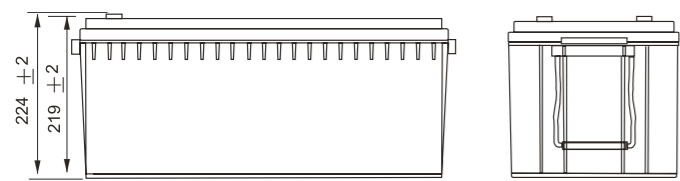
For more information, contact with: sales@ritarpower.com

12.8V200Ah

Bluetooth Battery



Dimension:



Unit: mm

SAFETY

- + Prismatic LiFePO4 cells, High consistency, long cycle life and much more safety.
- + UN38.3, CE certification for system.
- + The cycle life over 3000 times @80%DOD

DESIGN

- + ABS container, replace VRLA battery perfectly.
- + Fast charge performance.
- + -20~+55° C widely temperature range.
- + Maintenance free.

BATTERY MANAGEMENT SYSTEM (BMS)

- + Integrated hardware BMS inside.
- + Independent protection for charge and discharge.
- + Over voltage, low voltage, Over Current, Over temperature, Low temperature and short circuit protection.
- + Bluetooth communication, APP for Android and iPhone.

12.8V200Ah

Specification

Model	R-LFP12.8V200Ah
Part Number	8110128020001
Nominal Voltage [V]	12.8
Nominal Capacity [Ah]	200
Total Energy [Wh]	2560
Max. Charging Current [A]	100
Recommended Charging Current [A]	80
Charging Voltage [V]	14.6
Max. Discharging Current [A]	100
End of Discharge Voltage [V]	11.2
Pulse Discharge Current	300A @ 1s
Dimension [W*D*H, mm]	522*240*219
Weight [Kg]	25.6
Operation Humidity	0~95% RH (No condensing)
Operating Temperature Range	Charge: 0 ~ +50 °C ; Discharge: -20 ~ +55 °C
BMS Protection	Over charge Over discharge, Over current (Charge 110A@1s, Discharge 300A@1s) Over temperature (Charge 65°C ,Discharge 75°C)
Parallel Support	No Support
Series Support	Yes, Max 4 Sets
Cycle Life	> 3000
Designed Calendar Life	>10 Years
Communication	Bluetooth (APP for Android and iPhone)

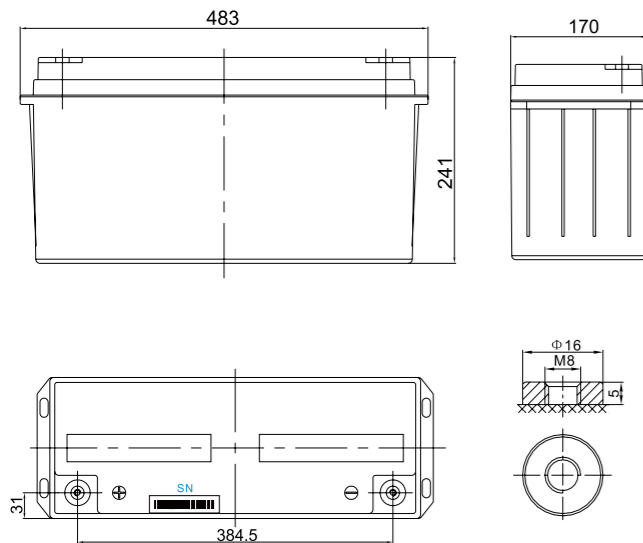
Note:
1. 80% DOD and to 80% of initial capacity.

12.8V150Ah

LFP Li-ion Battery-150A Current



Dimension:



Unit: mm

SAFETY

- + Prismatic LiFePO₄ cells, High consistency, long cycle life and much more safety.
- + UN38.3, CE certification for system.
- + The cycle life over 3000 times @80%DOD

DESIGN

- + ABS container, replace VRLA battery perfectly.
- + Fast charge performance.
- + -20~+55° C widely temperature range.
- + Maintenance free.

BATTERY MANAGEMENT SYSTEM (BMS)

- + Integrated hardware BMS inside.
- + Independent protection for charge and discharge.
- + Over voltage, low voltage, Over temperature and short circuit protection.

12.8V 150Ah

Specification

Model	R-LFP12.8V150Ah
Part Number	9110128015001
Nominal Voltage [V]	12.8
Nominal Capacity [Ah]	150
Total Energy [Wh]	1920
Max. Charging Current [A]	150
Recommended Charging Current [A]	75
Charging Voltage [V]	14.6
Max. Discharging Current [A]	150
End of Discharge Voltage [V]	11.2
Pulse Discharge Current	300A @ 10s
Dimension [W*D*H, mm]	483*170*241
Weight [Kg]	20.0
Operation Humidity	0~95% RH (No condensing)
Operating Temperature Range	Charge: 0 ~ +50 °C; Discharge: -20 ~ +55 °C
BMS Protection	Over charge Over discharge, Over temperature, Short circuit
Parallel Support	Yes, Max 2 Sets
Series Support	Yes, Max 4 Sets
Cycle Life	>3000
Designed Calendar Life	>10 Years

Note:

1. 80% DOD and to 80% of initial capacity.

The datasheet is subject to change without prior notification

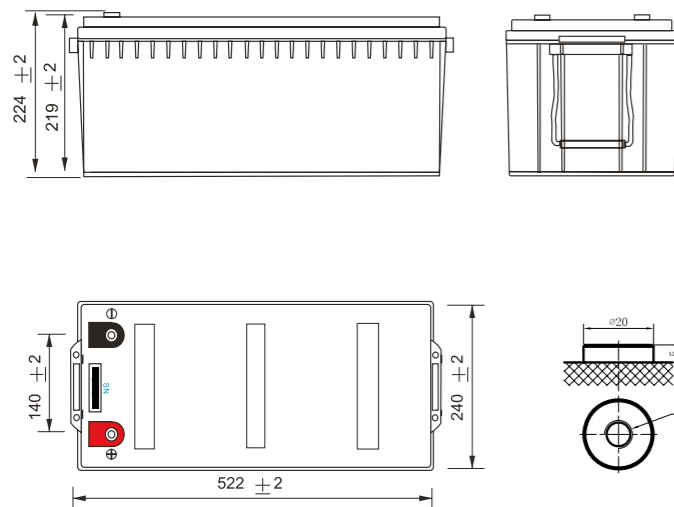
For more information, contact with: sales@ritarpower.com

12.8V200Ah

LFP Li-ion Battery-150A Current



Dimension:



Unit: mm

SAFETY

- + Prismatic LiFePO4 cells, High consistency, long cycle life and much more safety.
- + UN38.3, CE certification for system.
- + The cycle life over 3000 times @80%DOD

DESIGN

- + ABS container, replace VRLA battery perfectly.
- + Fast charge performance.
- + -20~+55° C widely temperature range.
- + Maintenance free.

BATTERY MANAGEMENT SYSTEM (BMS)

- + Integrated hardware BMS inside.
- + Independent protection for charge and discharge.
- + Over voltage, low voltage, Over temperature and short circuit protection.

12.8V200Ah

Specification

Model	R-LFP12.8V200Ah
Part Number	9110128020001
Nominal Voltage [V]	12.8
Nominal Capacity [Ah]	200
Total Energy [Wh]	2560
Max. Charging Current [A]	150
Recommended Charging Current [A]	100
Charging Voltage [V]	14.6
Max. Discharging Current [A]	150
End of Discharge Voltage [V]	11.2
Pulse Discharge Current	300A @ 10s
Dimension [W*D*H, mm]	522*240*219
Weight [Kg]	25.6
Operation Humidity	0~95% RH (No condensing)
Operating Temperature Range	Charge: 0 ~ +50 °C; Discharge: -20 ~ +55 °C
BMS Protection	Over charge Over discharge, Over temperature, Short circuit
Parallel Support	Yes, Max 2 Sets
Series Support	Yes, Max 4 Sets
Cycle Life	>3000
Designed Calendar Life	>10 Years

Note:

1. 80% DOD and to 80% of initial capacity.

The datasheet is subject to change without prior notification

For more information, contact with: sales@ritarpower.com

25.6V Series (Standard product 801***)



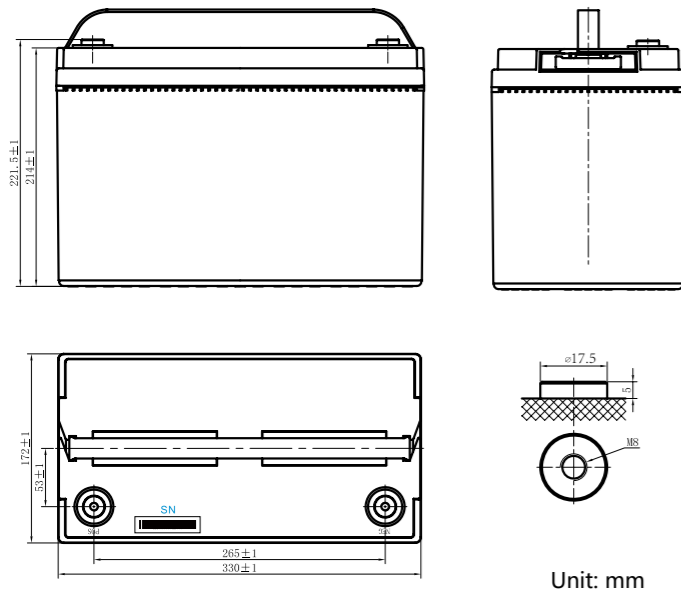
Model	Part Number	Rated Voltage [V]	Rated Capacity [Ah]	Length [mm]	Width [mm]	Height [mm]	Weight [Kg]	Terminal	Remark
R-LFP25.6V50Ah	8010256005001	25.6	50	330	172	214	15	F12 (Φ17.5, M8)	
R-LFP25.6V100Ah	8010256010001	25.6	100	522	240	219	25.2	F10 (Φ20, M8)	
R-LFP25.6V135Ah	8010256013501	25.6	135	522	240	219	31	F10 (Φ20, M8)	
R-LFP25.6V150Ah	8010256015001	25.6	150	522	268	219	35	F10 (Φ20, M8)	
R-LFP25.6V200Ah	8010256020001	25.6	200	522	268	219	40	F10 (Φ20, M8)	

25.6V 50Ah

LFP Li-ion Battery



Dimension:



SAFETY

- + Prismatic LiFePO4 cells (50Ah), High consistency, long cycle life and much more safety.
- + UN38.3, CE certification for system.
- + The cycle life over 3000 times @80%DOD

DESIGN

- + ABS container, replace VRLA battery perfectly.
- + Fast charge performance.
- + -20~+55° C widely temperature range.
- + Maintenance free.

BATTERY MANAGEMENT SYSTEM (BMS)

- + Integrated hardware BMS inside.
- + Independent protection for charge and discharge.
- + Over voltage, low voltage, over temperature and short circuit protection.

25.6V50Ah

Specification

Model	R-LFP25.6V50Ah
Part Number	8010256005001
Nominal Voltage [V]	25.6
Nominal Capacity [Ah]	50
Total Energy [Wh]	1280
Max. Charging Current [A]	50
Recommended Charging Current [A]	25
Charging Voltage [V]	29.2
Max. Discharging Current [A]	50
End of Discharge Voltage [V]	22.4
Pulse Discharge Current	100A @ 10s
Dimension [W*D*H, mm]	330*172*214
Weight [Kg]	15.0
Operation Humidity	0~95% RH (No condensing)
Operating Temperature Range	Charge: 0 ~ +50 °C; Discharge: -20 ~ +55 °C
BMS Protection	Over charge Over discharge, Over temperature, Short circuit
Parallel Support	Yes, Max 2 Sets
Series Support	No Support
Cycle Life	> 3000
Designed Calendar Life	>10 Years
Certification	UN38.3, CE, MSDS

Note:
1. 80% DOD and to 80% of initial capacity.

The datasheet is subject to change without prior notification

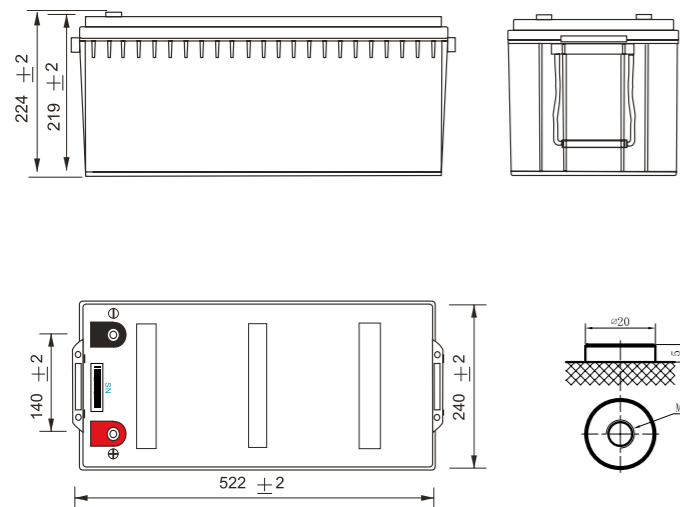
For more information, contact with: sales@ritarpower.com

25.6V 100Ah

LFP Li-ion Battery



Dimension:



Unit: mm

SAFETY

- + Prismatic LiFePO4 cells (50Ah), High consistency, long cycle life and much more safety.
- + UN38.3, CE certification for system.
- + The cycle life over 3000 times @80%DOD

DESIGN

- + ABS container, replace VRLA battery perfectly.
- + Fast charge performance.
- + -20~+55° C widely temperature range.
- + Maintenance free.

BATTERY MANAGEMENT SYSTEM (BMS)

- + Integrated hardware BMS inside.
- + Independent protection for charge and discharge.
- + Over voltage, low voltage, over temperature and short circuit protection.

25.6V 100Ah

Specification

Model	R-LFP25.6V100Ah
Part Number	8010256010001
Nominal Voltage [V]	25.6
Nominal Capacity [Ah]	100
Total Energy [Wh]	2560
Max. Charging Current [A]	100
Recommended Charging Current [A]	50
Charging Voltage [V]	29.2
Max. Discharging Current [A]	100
End of Discharge Voltage [V]	22.4
Pulse Discharge Current	270A @ 10s
Dimension [W*D*H, mm]	522*240*219
Weight [Kg]	25.2
Operation Humidity	0~95% RH (No condensing)
Operating Temperature Range	Charge: 0 ~ +50 °C; Discharge: -20 ~ +55 °C
BMS Protection	Over charge Over discharge, Over temperature, Short circuit
Parallel Support	Yes, Max 2 Sets
Series Support	No Support
Cycle Life	> 3000
Designed Calendar Life	>10 Years
Certification	UN38.3, CE, MSDS

Note:

- 1. 80% DOD and to 80% of initial capacity.

The datasheet is subject to change without prior notification

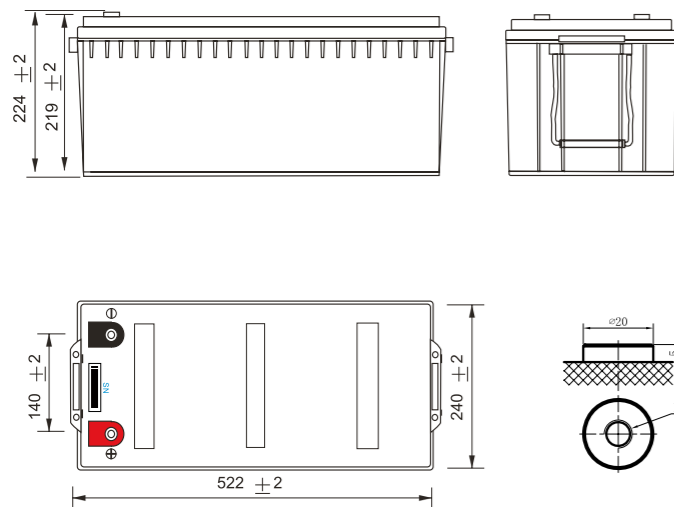
For more information, contact with: sales@ritarpower.com

25.6V 135Ah

LFP Li-ion Battery



Dimension:



Unit: mm

SAFETY

- + Prismatic LiFePO4 cells (135Ah), High consistency, long cycle life and much more safety.
- + UN38.3, CE certification for system.
- + The cycle life over 3000 times @80%DOD

DESIGN

- + ABS container, replace VRLA battery perfectly.
- + Fast charge performance.
- + -20~+55° C widely temperature range.
- + Maintenance free.

BATTERY MANAGEMENT SYSTEM (BMS)

- + Integrated hardware BMS inside.
- + Independent protection for charge and discharge.
- + Over voltage, low voltage, over temperature and short circuit protection.

25.6V135Ah

Specification

Model	R-LFP25.6V135Ah
Part Number	8010256013501
Nominal Voltage [V]	25.6
Nominal Capacity [Ah]	135
Total Energy [Wh]	3456
Max. Charging Current [A]	100
Recommended Charging Current [A]	67.5
Charging Voltage [V]	29.2
Max. Discharging Current [A]	100
End of Discharge Voltage [V]	22.4
Pulse Discharge Current	270A @ 10s
Dimension [W*D*H, mm]	522*240*219
Weight [Kg]	31.0
Operation Humidity	0~95% RH (No condensing)
Operating Temperature Range	Charge: 0 ~ +50 °C; Discharge: -20 ~ +55 °C
BMS Protection	Over charge Over discharge, Over temperature, Short circuit
Parallel Support	Yes, Max 2 Sets
Series Support	No Support
Cycle Life	> 3000
Designed Calendar Life	>10 Years
Certification	UN38.3, CE, MSDS

Note:
1. 80% DOD and to 80% of initial capacity.

The datasheet is subject to change without prior notification

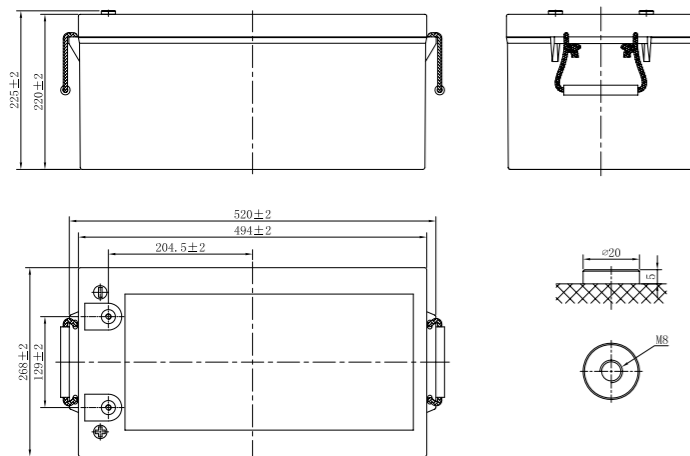
For more information, contact with: sales@ritarpower.com

25.6V 150Ah

LFP Li-ion Battery



Dimension:



Unit: mm

SAFETY

- + Prismatic LiFePO4 cells (50Ah), High consistency, long cycle life and much more safety.
- + UN38.3, CE certification for system.
- + The cycle life over 3000 times @80%DOD

DESIGN

- + ABS container, replace VRLA battery perfectly.
- + Fast charge performance.
- + -20~+55° C widely temperature range.
- + Maintenance free.

BATTERY MANAGEMENT SYSTEM (BMS)

- + Integrated hardware BMS inside.
- + Independent protection for charge and discharge.
- + Over voltage, low voltage, over temperature and short circuit protection.

25.6V 150Ah

Specification

Model	R-LFP25.6V150Ah
Part Number	8010256015001
Nominal Voltage [V]	25.6
Nominal Capacity [Ah]	150
Total Energy [Wh]	3840
Max. Charging Current [A]	100
Recommended Charging Current [A]	80
Charging Voltage [V]	29.2
Max. Discharging Current [A]	100
End of Discharge Voltage [V]	22.4
Pulse Discharge Current	270A @ 10s
Dimension [W*D*H, mm]	522*268*220
Weight [Kg]	35.0
Operation Humidity	0~95% RH (No condensing)
Operating Temperature Range	Charge: 0 ~ +50 °C; Discharge: -20 ~ +55 °C
BMS Protection	Over charge Over discharge, Over temperature, Short circuit
Parallel Support	Yes, Max 2 Sets
Series Support	No Support
Cycle Life	> 3000
Designed Calendar Life	>10 Years
Certification	UN38.3, CE, MSDS

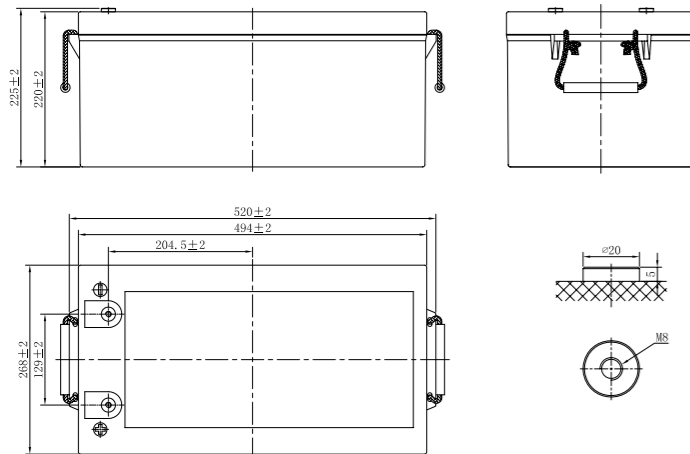
Note:
1. 80% DOD and to 80% of initial capacity.

25.6V 200Ah

LFP Li-ion Battery



Dimension:



Unit: mm

SAFETY

- + Prismatic LiFePO4 cells (205Ah), High consistency, long cycle life and much more safety.
- + UN38.3, CE certification for system.
- + The cycle life over 3000 times @80%DOD

DESIGN

- + ABS container, replace VRLA battery perfectly.
- + Fast charge performance.
- + -20~+55° C widely temperature range.
- + Maintenance free.

BATTERY MANAGEMENT SYSTEM (BMS)

- + Integrated hardware BMS inside.
- + Independent protection for charge and discharge.
- + Over voltage, low voltage, over temperature and short circuit protection.

25.6V 200Ah

Specification

Model	R-LFP25.6V200Ah
Part Number	8010256020001
Nominal Voltage [V]	25.6
Nominal Capacity [Ah]	200
Total Energy [Wh]	5120
Max. Charging Current [A]	100
Recommended Charging Current [A]	80
Charging Voltage [V]	29.2
Max. Discharging Current [A]	100
End of Discharge Voltage [V]	22.4
Pulse Discharge Current	270A @ 10s
Dimension [W*D*H, mm]	522*268*220
Weight [Kg]	40.0
Operation Humidity	0~95% RH (No condensing)
Operating Temperature Range	Charge: 0 ~ +50 °C; Discharge: -20 ~ +55 °C
BMS Protection	Over charge Over discharge, Over temperature, Short circuit
Parallel Support	Yes, Max 2 Sets
Series Support	No Support
Cycle Life	> 3000
Designed Calendar Life	>10 Years
Certification	UN38.3, CE, MSDS

Note:

1. 80% DOD and to 80% of initial capacity.

The datasheet is subject to change without prior notification

For more information, contact with: sales@ritarpower.com