



YLI ELECTRONIC



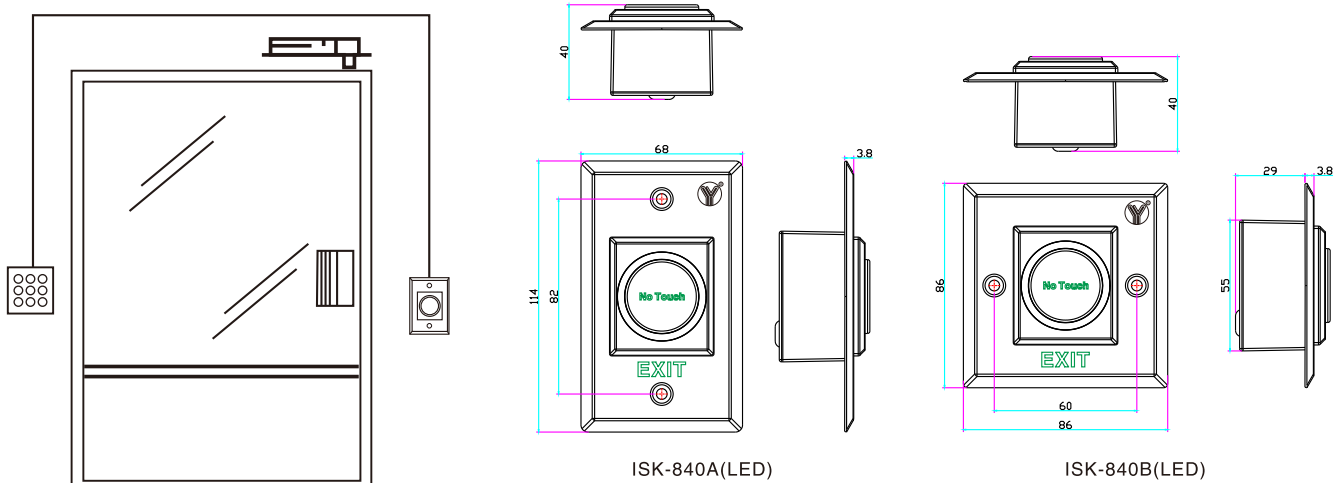
Infrared Sensor Exit Button

Model: ISK-840A/B(LED)

Specification

- Size: 114Lx68Wx40H(mm) (ISK-840A(LED))
86Lx86Wx40H(mm) (ISK-840B(LED))
- Input : DC12V~24V
- Contact Rating: 1A@30VDC
- Output Contact: NO\NC\COM
- Mechanical Life: 500000 tests
- Suitable for Door: Hollow Door
- Operating temp: -20°C ~+55°C(14-131F)
- Suitable Humidity: 0-95% (relative humidity)
- Detection range: 0.1-10cm
- Weight: 0.2kg

Installation & Size



Wiring Diagram

