

YB-200(LED)

Fail safe electric bolt with signal, time & LED

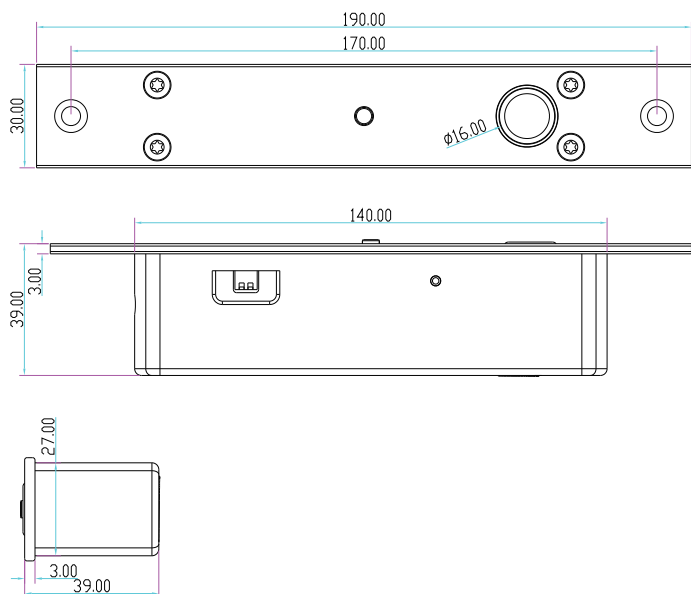
Product overview

YB-200(LED) is a kind of durable fail safe electric bolt with all-in-one lock body. We separate the bolt and the magnetic valve in order to avoid the locking mistakes caused by the internal mechanical failures. It has 2000kg holding force and can work at the temperature of 60 or 20 below zero based on the 304 stainless steel solid bolt. With the multiple designs of durable solenoid valve, special photoelectric control system, ultra-low temperature and power consumption design, vandal resistant circuitry and auto-detective circuitry, YB-200 (LED) is specially designed for the doors at the entrances, such as metal doors, wooden doors, glass doors and PVC doors.

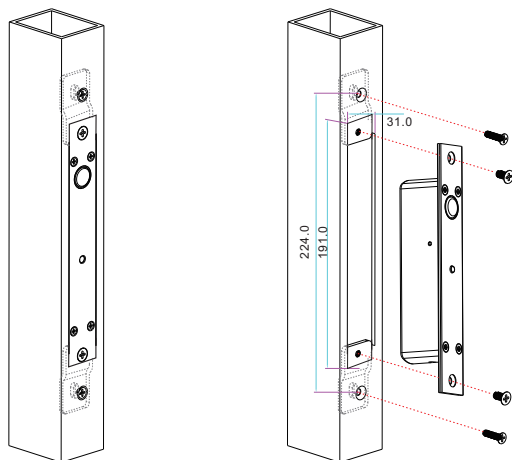


Dimensions

Unit mm



Installation dimension



Parameter Model	YB-200(LED)
Parameter	Description
Fail safe	Locked when energized
Dimensions	190Lx30Wx39H (mm)
Strike	95Lx25Wx3H(mm)
Decorative panel	195Lx35Wx0.7H(mm)
Bolt	16mmDIA, stainless steel 16mm throw
Voltage	12VDC
Start Current	850mA
Standby Current	150mA
Solid bolt	Polishing housing, 1000Kg holding force
Time delay	0,3,6,9sec
Signal output	Door status output, NO/COM
LED	Light on when locked; Light off when unlocked
Induction distance	8mm
Suitable for	Wooden door, glass door, metal door
Face place material	High aluminum
Special designed	Tested for over 500,000 times
Weight	0.6kg

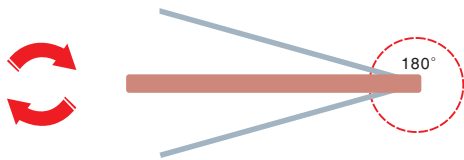
Installation diagram



Shenzhen YLI Electric Lock Co.,Ltd.

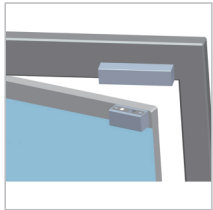
Suitable for double action doors

Electric bolts are specially designed for double action doors. They can also be installed on both in-swing doors and out-swing doors.

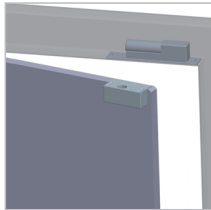


Optional brackets

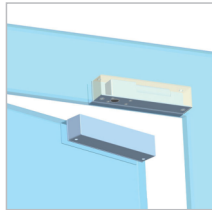
It depends on the types of your doors. We have many kinds of brackets for narrow frame doors, frame-less glass doors and in-swing doors.



BBK-500



BBK-601



BBK-700

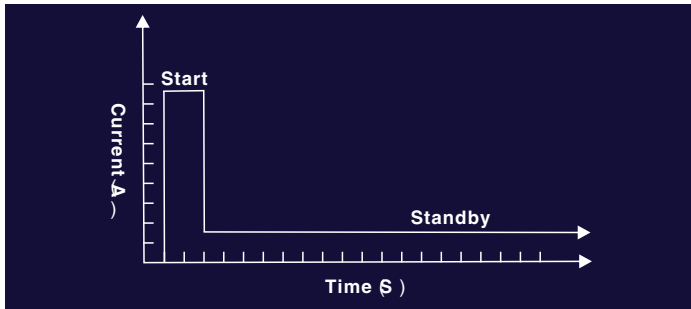
Auto-lock time delay

This can be set up from 0 to 9 seconds by adjusting the jumpers.



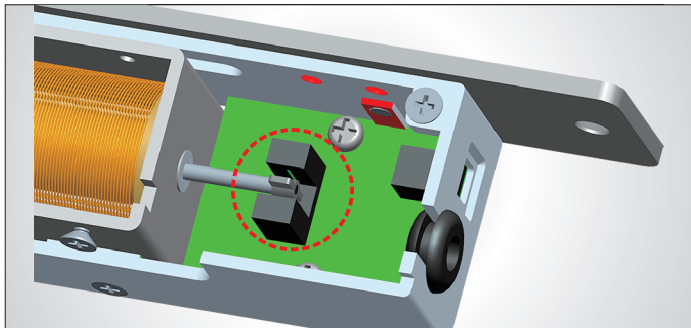
Energy saving design

When the bolt is extended to keep the door locked, it draws only 850mA in a holding mode. This design extends the life of the electric bolt.



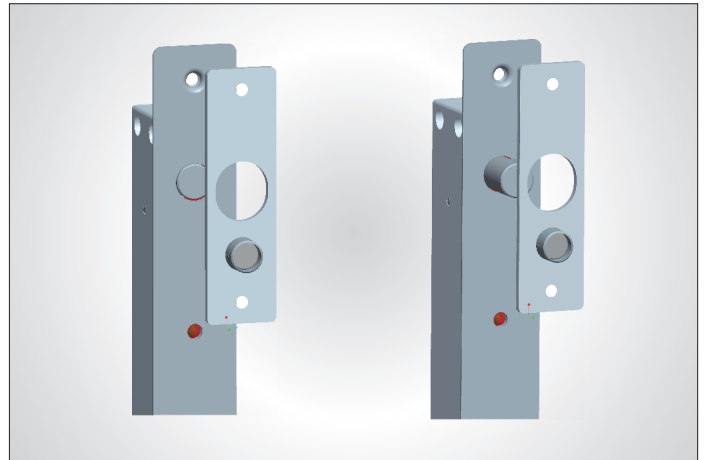
Photoelectric sensor control

Instead of using electric components, we use photoelectric components to make the bolt more stable and durable. In the same time, it can increase the lifetime of the bolt.



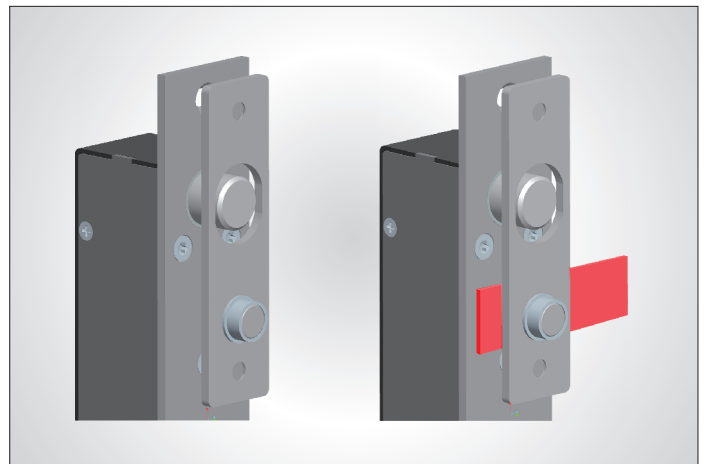
Auto-detective circuitry

This special auto-detective circuit of electric bolt keeps the bolt retracted while the door unlocked or improperly aligned until the door is properly closed.



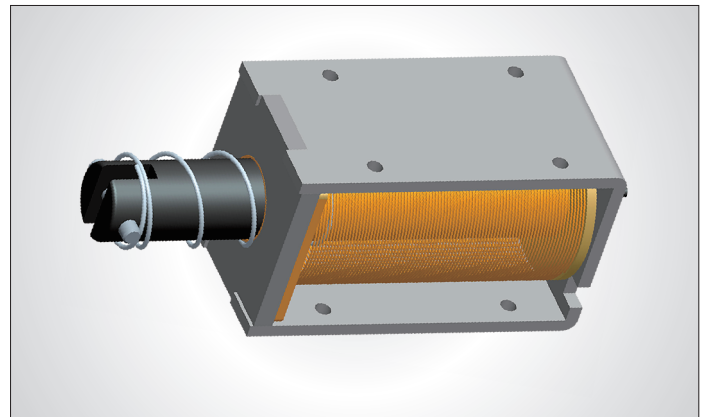
Vandal resistant circuitry

The reed sensor will automatically disconnect when the door is actually closed in order to enhance the security of the lock.



Ultra durable solenoid valve

Tested for over 500,000 times, the specially designed solenoid valve can be used for 5 to 10 years.



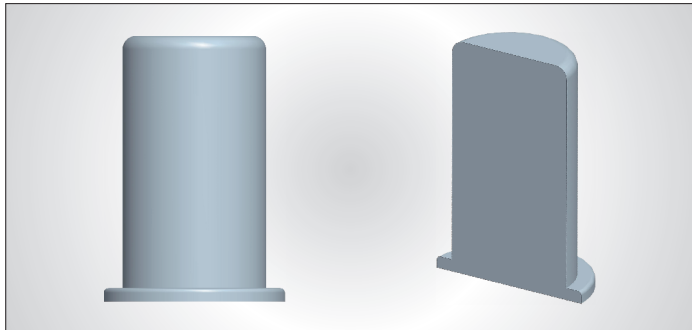
Shenzhen YLI Electric Lock Co.,Ltd.

Room 1605, Block A, Haisong Building, Tairan 9th Road, Futian District, Shenzhen, China
TEL: 86-755-83489801/02/03/04/05/06 FAX: 86-755-83489807
Website: www.yli.cn E-mail: yli@yli.cn



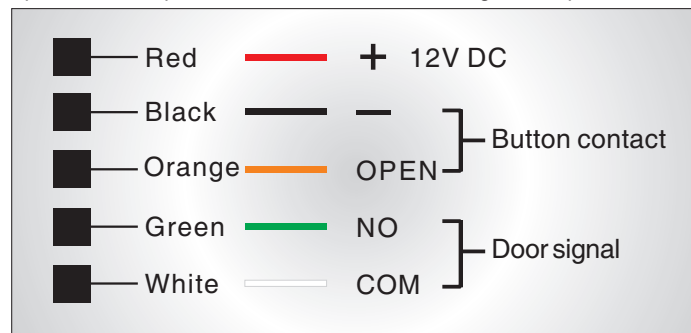
304 stainless steel solid bolt

Made by CNC lathe, this 304 Stainless Steel bolt has 1000kg holding force, which is stronger and more durable under the harsh environment.



Connecting instructions

With the special auto-detective circuit, we advise you to connect our own open wires to open the door instead of shutting off the power directly.



Shenzhen YLI Electric Lock Co.,Ltd.

Room 1605, Block A, Haisong Building, Tairan 9th Road, Futian District, Shenzhen, China
TEL:86-755-83489801/02/03/04/05/06 FAX:86-755-83489807
Website: www.yli.cn E-mail: yli@yli.cn

