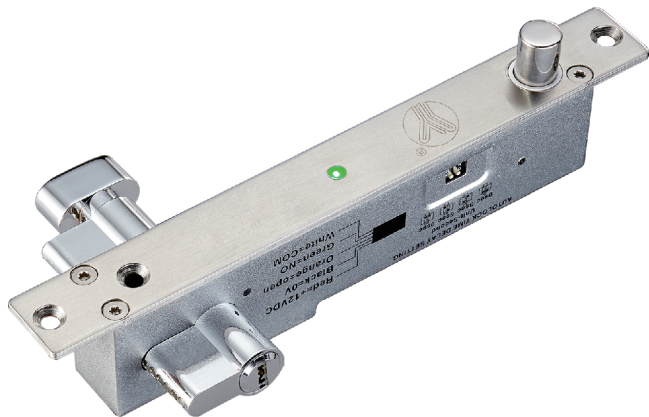


# YB-500C(LED)

## Fail secure sturdiness electric bolt with cylinder

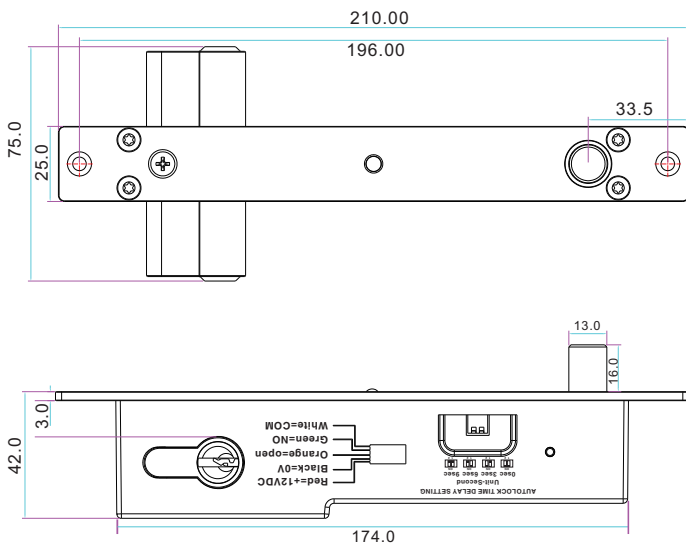


### Product overview

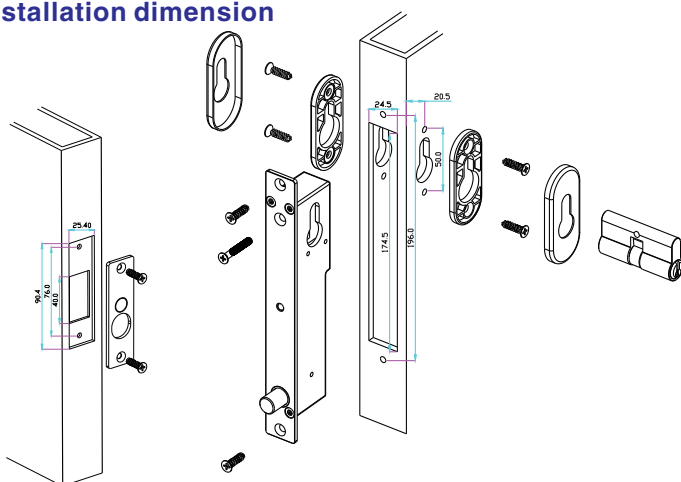
YB-500C (LED) is an all-metal construction electric bolt with European-type cylinder and has both electric control and manual control functions. The 304 stainless steel solid bolt has 1000kg holding force and with anti-burglar design. And this lock can also be used at the temperature of 60 or 20 below zero based on the all-metal components. With the multiple designs of durable solenoid valve, special photoelectric control system, ultra-low temperature and power consumption design, vandal resistant circuitry and auto-detective circuitry, YB-500C (LED) is suitable for narrow frame doors, metal doors, wooden doors, glass doors, PVC doors, partition doors.

### Dimensions

Unit mm

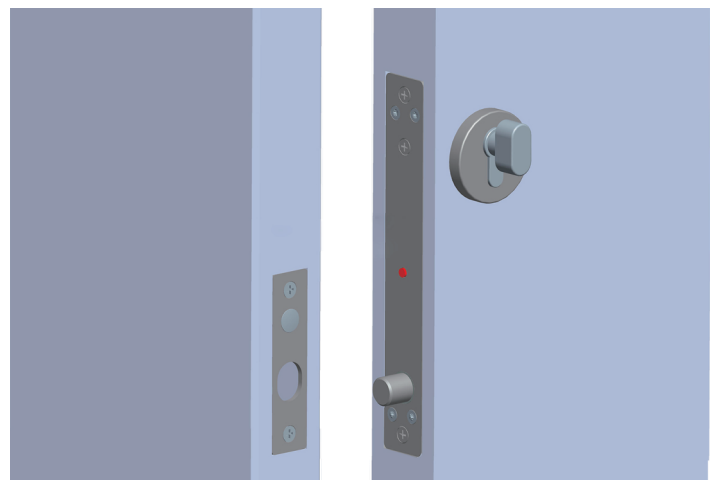


### Installation dimension



Parameter Model	YB-500C(LED)
Parameter	Description
<b>Fail secure</b>	locked when energized
<b>Dimensions</b>	210Lx25WX42H(mm)
<b>Strike</b>	90Lx25Wx3H(mm)
<b>Bolt</b>	16mmDIA, 304 stainless steel 16mm throw
<b>Optional cylinder</b>	75mm(Single side cylinder can be customized )
<b>Voltage</b>	12VDC
<b>Start current</b>	960mA
<b>Standby current</b>	180mA
<b>Bolt strength</b>	304 stainless steel with polishing finish,1000kg holding force
<b>Time delay</b>	0/3/6/9sec
<b>Signal output</b>	NO、COM
<b>LED</b>	Light on indicates locked; Light off indicates unlocked
<b>Induction distance</b>	Within 8mm
<b>Suitable for</b>	Wooden door, Heavy door, metal door
<b>Face place material</b>	304 stainless steel panel with wiredrawing finish
<b>Weight</b>	1.0kg

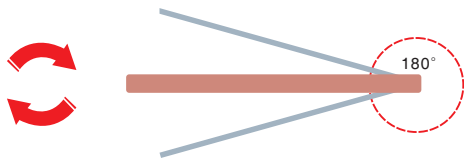
### Installation diagram



## Shenzhen YLI Electric Lock Co.,Ltd.

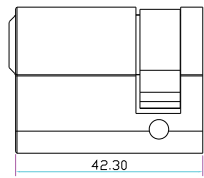
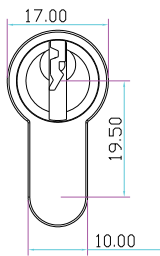
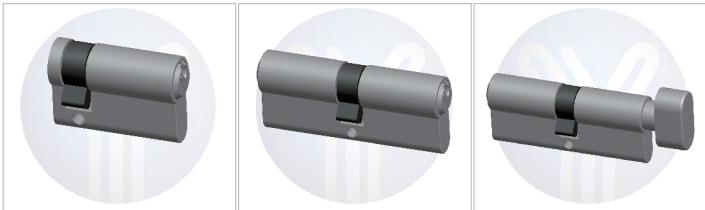
## Suitable for double action doors

Electric bolts are specially designed for double action doors. They can also be installed on both inswing doors and outswing doors.

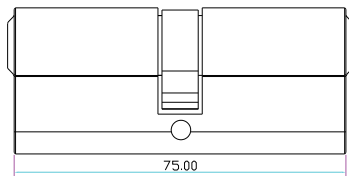
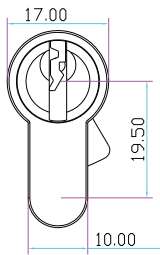


## Optional cylinder

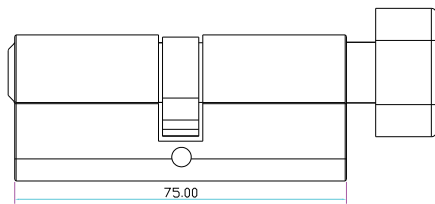
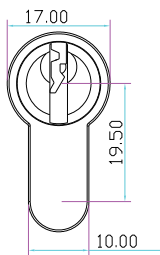
Single side or both-side cylinder is available. Other size of cylinders can be customized, 80/90/100/110/120mm.



Single side cylinder



Both-side cylinder



Single side cylinder with thumb turn (standard option)

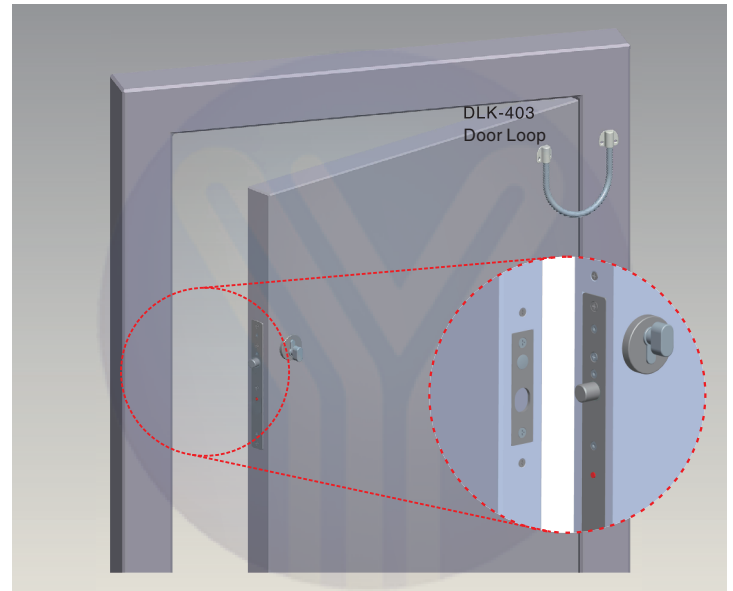
## Auto-lock time delay function

This can be set up from 0 to 9 seconds by adjusting the jumpers.



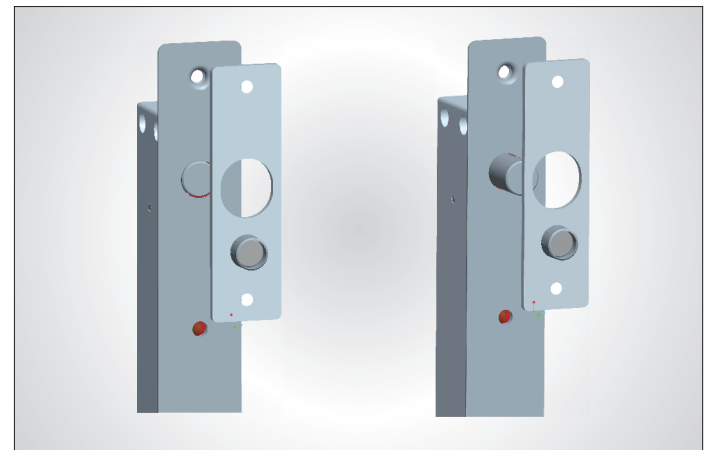
## Optional accessory

The door loop is used for protection of extension wiring from damages for security reasons. (Optional models: DLK-401/402/403)



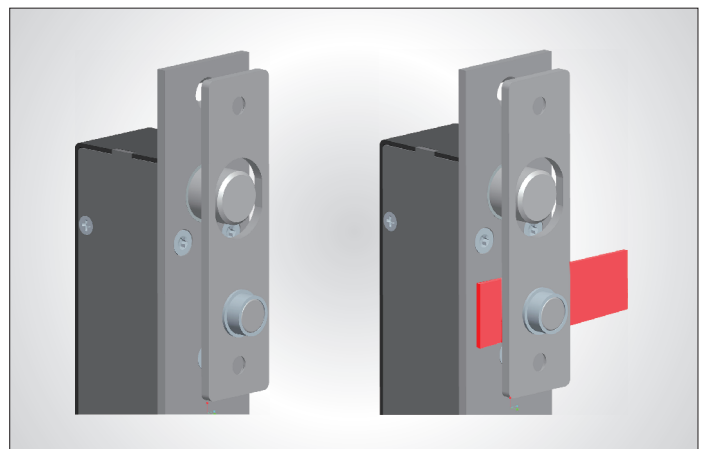
## Auto-detective circuitry

This special auto-detective circuit of electric bolt keeps the bolt retracted while the door unlocked or improperly aligned until the door is properly closed.



## Vandal resistant circuitry

The reed sensor will automatically disconnect when the door is actually closed in order to enhance the security of the lock.



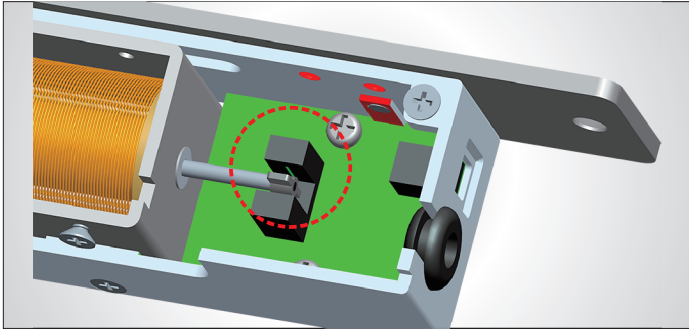
## Shenzhen YLI Electric Lock Co.,Ltd.

Room 1605, Block A, Haisong Building, Tairan 9th Road, Futian District, Shenzhen China  
 TEL:86-755-83489801/02/03/04/05/06 FAX:86-755-83489807  
 Website: www.yli.cn E-mail: yli@yli.cn



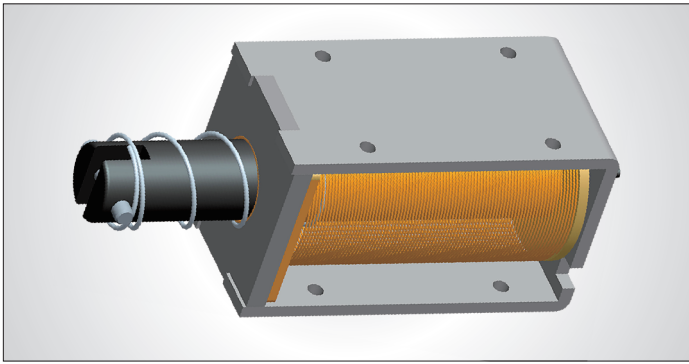
## Photoelectric sensor control

Instead of using electric components, we use photoelectric components to make the bolt more stable and durable. At the same time, it can increase the lifetime of the electric bolt.



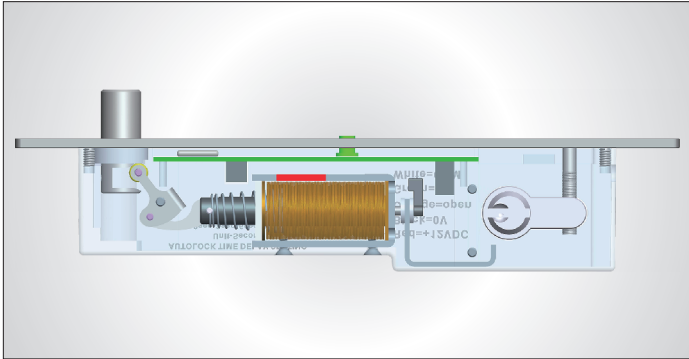
## Ultra durable solenoid valve

Tested for over 500,000 times, the specially designed solenoid valve can be used for 5 to 10 years.



## All-metal lock body

The all-metal lock body and components make the lock stronger and more durable, which ensure the lock can work under the harsh environment. (Can order the lock work at the temperature of 60 or 40 below zero.)



## Connecting instructions

With the special auto-detective circuit, we advise you to connect our own open wires to open the door instead of shutting off the power directly.

Red	+	12VDC	Control device
Black	-		
Orange	OPEN		
Blue	NO	Lock signal output	
Gray	COM		

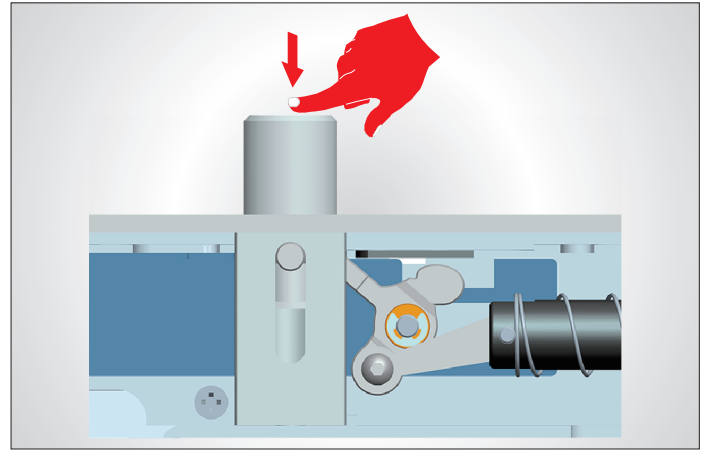
## Optional door or lock sensor output

Standard option is a set of NO/COM lock signal output contact.



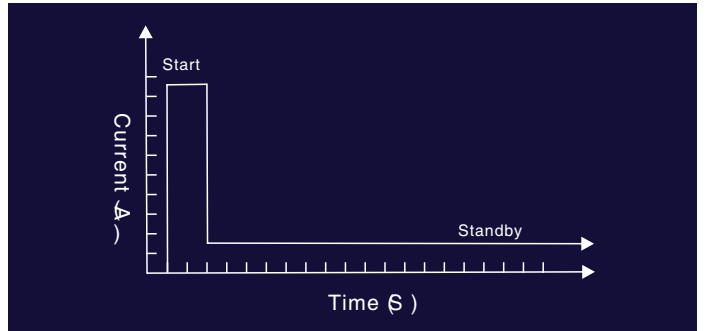
## Optional anti-burglar function

When the bolt is extended, it cannot be retracted by the external force without permission.



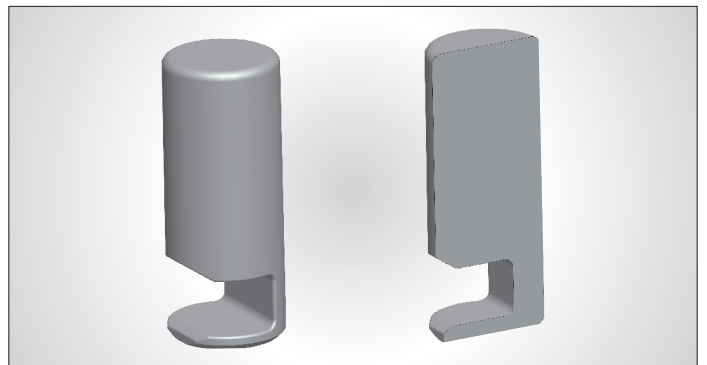
## Energy saving design

When the bolt is extended to keep the door locked, it draws only 0.18A in a holding mode down from 0.96A while the bolt is retracted. This design extends the life of the electric bolt.



## 304 stainless steel solid bolt

With 304 stainless steel solid bolt, the electric bolt has 2000kg holding force. It is stronger and more durable under the harsh environment.



## Shenzhen YLI Electric Lock Co.,Ltd.

Room 1605, Block A, Haisong Building, Tairan 9th Road, Futian District, Shenzhen China  
 TEL: 86-755-83489801/02/03/04/05/06 FAX: 86-755-83489807  
 Website: www.yli.cn E-mail: yli@yli.cn

