



YLI ELECTRONIC



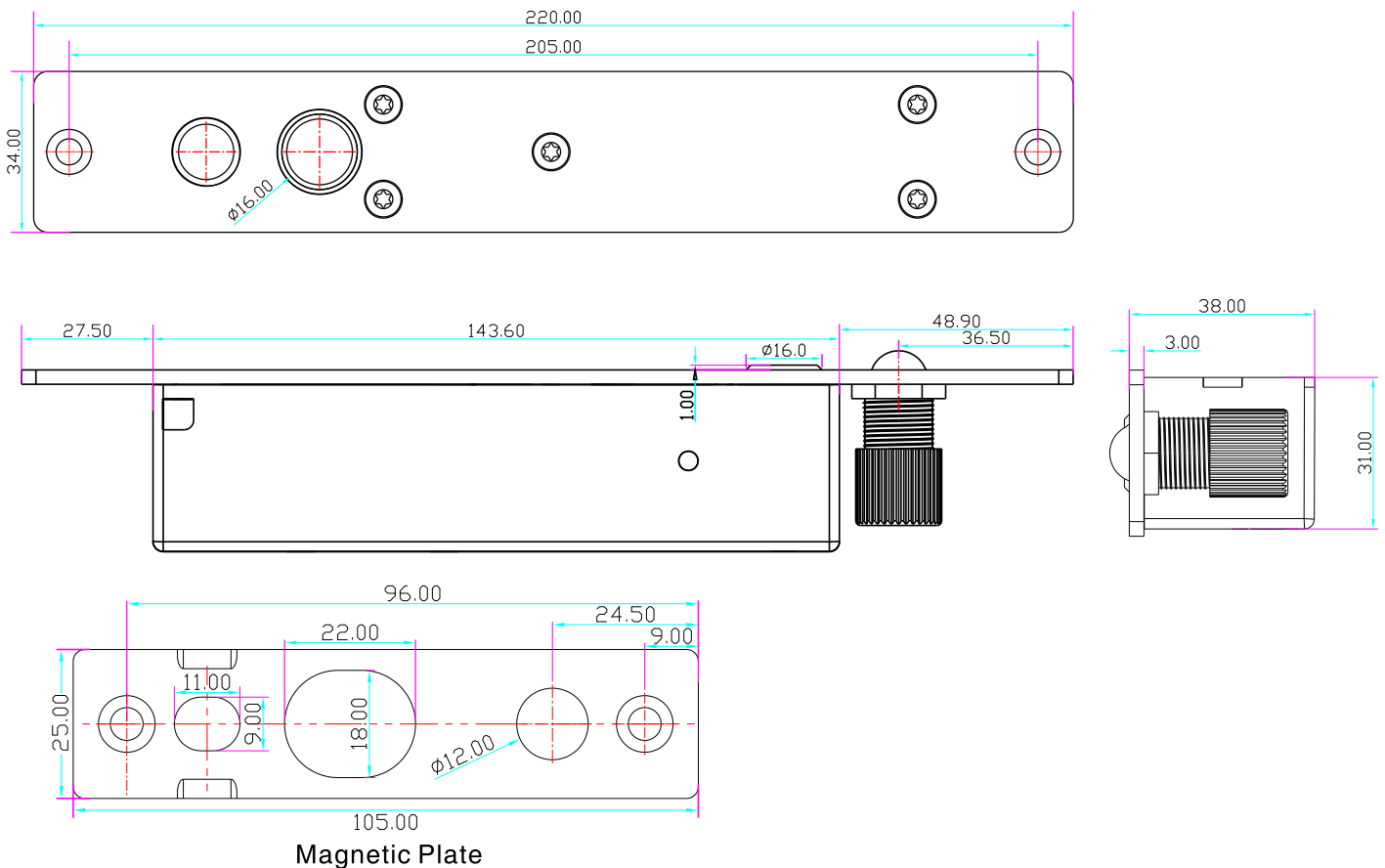
Intelligent & Stable Electric Bolt with Adjustable Ball

Model: YB-800A/B

Parameters

Lock Body	220Lx34Wx38H(mm)
Magnetic Plate	105Lx25Wx3H(mm)
Bolt	16(prolongation)*16(diameter)(mm)
Signal Output	Door signal: NO/COM
Time Delay	0/3/6/9 sec
Voltage	12VDC±10%
Current	Start 1200mA; Standby 200mA
Feature	Fail safe(NC); Fail secure(NO)
Detection Distance	Within 8mm
Suitable for	Wooden door, metal door, fireproof door, glass door
Material	304 stainless steel, wire draw finishing
Weight	1.0 kg

Dimensions



Time Delay

Adjust the delay time for locking automatically 0/3/6/9 secs.



0.0 SEC



6.0 SEC

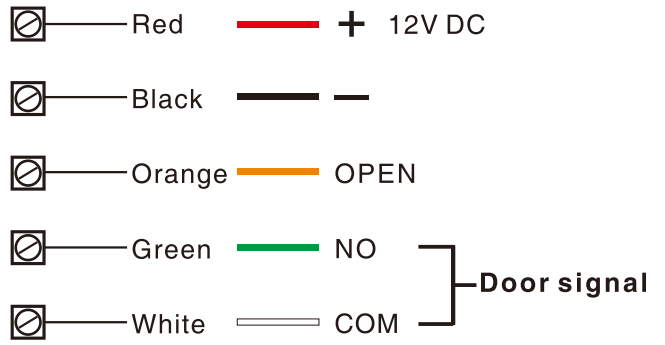


3.0 SEC

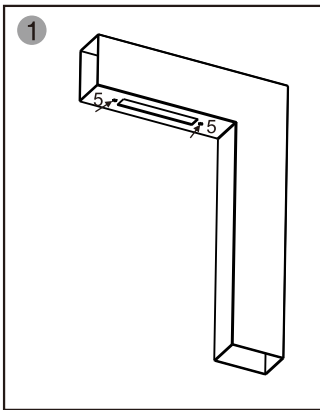


9.0 SEC

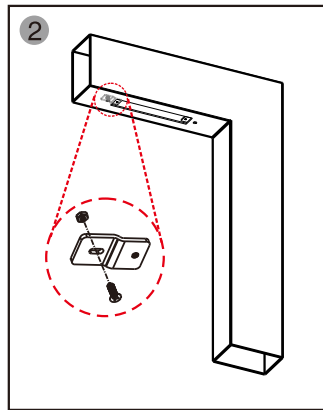
Wiring Diagram



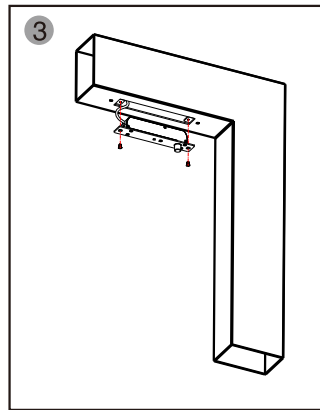
Installation Steps



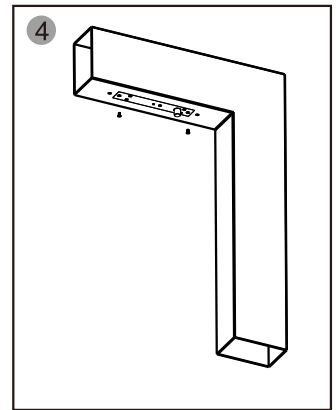
1. Incise the location of face plate and magnetic plate in the door leaf and door frame according to the mark of lore size



2. Mount extended slice

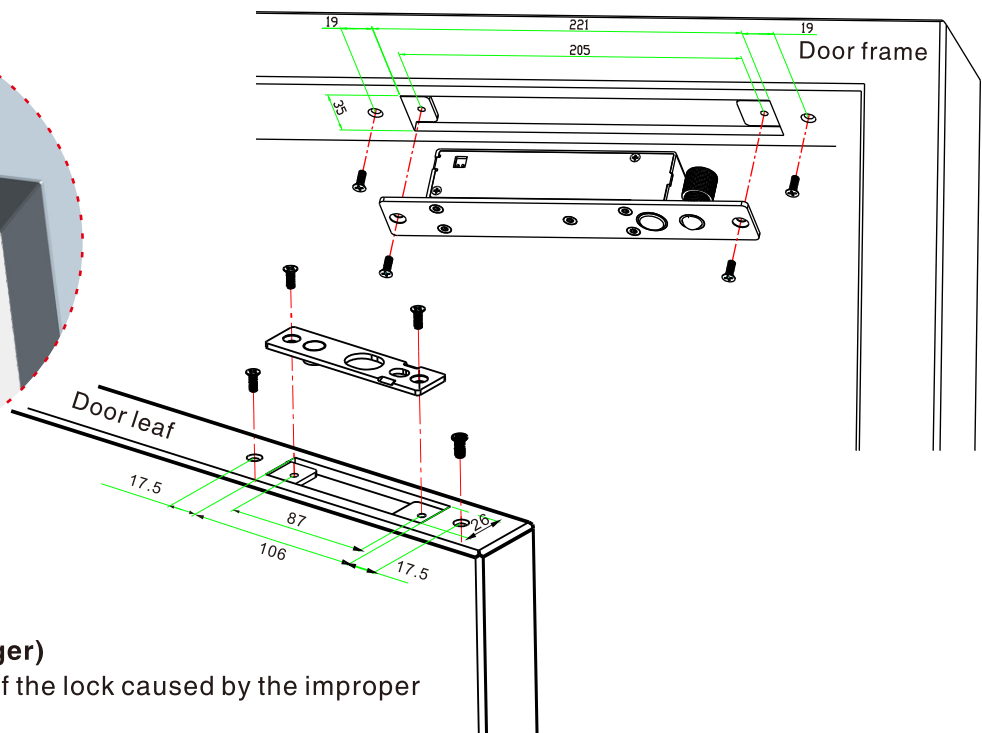
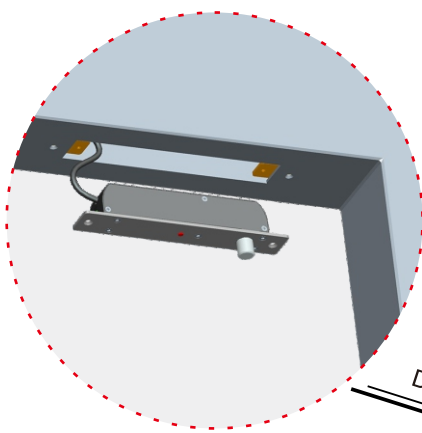


3. Connect power supply line and test



4. Tighten the screws

Installation Schematic



Spring plunger(ball plunger)

1. To prevent the damage of the lock caused by the improper locking position.
2. To align the position of the magnetic plate and the bolt in a short time, which can reduce the relock time of the electric bolt.