



YLI ELECTRONIC

Narrow-type Electric Strike with Signal

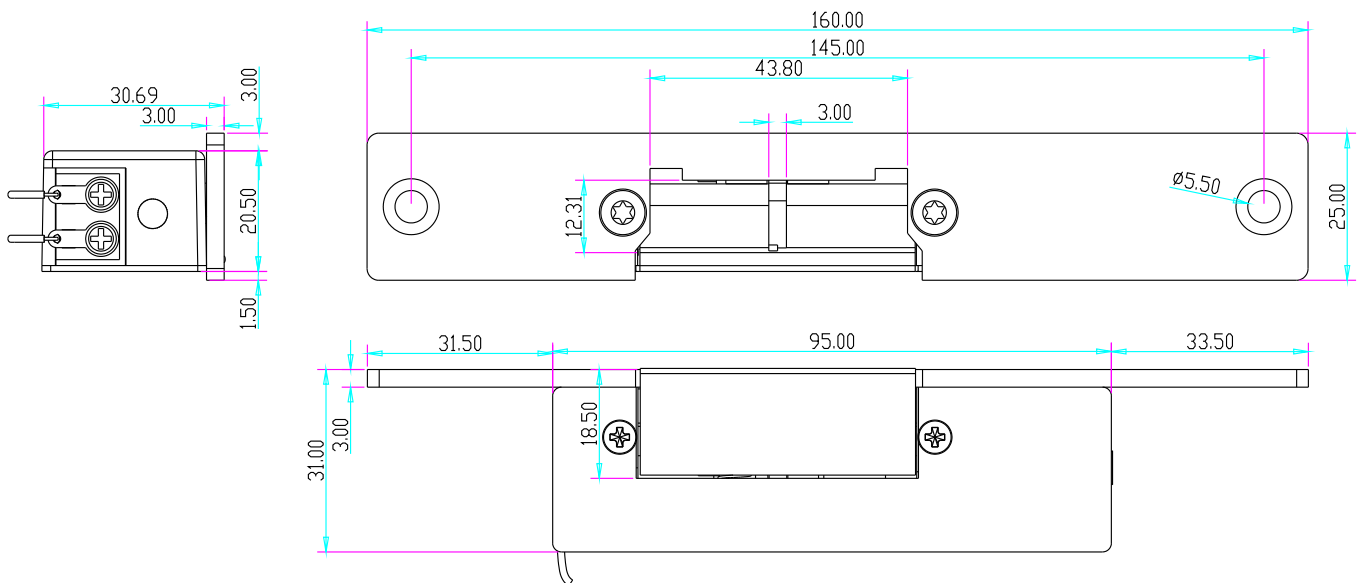


Model:YS-131NO/NC-S

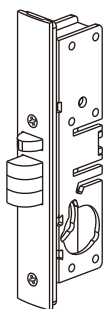
Specification

Size	160Lx25Wx31H(mm)
Voltage	DC12V (Need Order DC24V)
Current	NO:12V/240mA(±10%); 24V/120mA(±10%) NC:12V/200mA(±10%); 24V/100mA(±10%)
Feature	Fail Secure(YS-131NO-S) or Fail Safe(YS-131NC-S)
Signal Output	Lock Status Output NO/NC/COM
Suitable for	Wooden Door, Metal Door
Finishing	Electroplating
Weight	0.4 kg

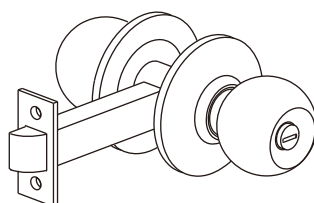
Diagram(unit:mm)



Options of Mechanical Lock

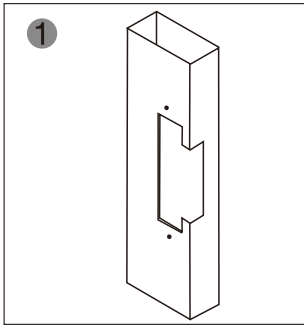


Mechanical Lock

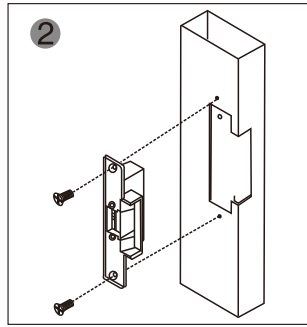


Knob lock

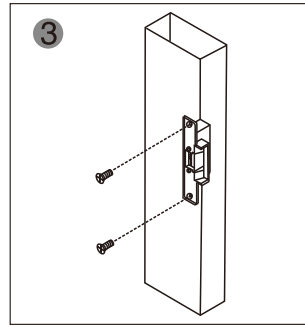
Installation



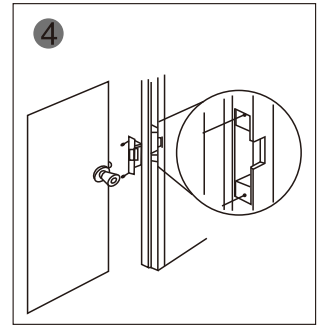
1 Cut hole according to the dimension of strike.



2 Assemble the lock and connect it to the power to test

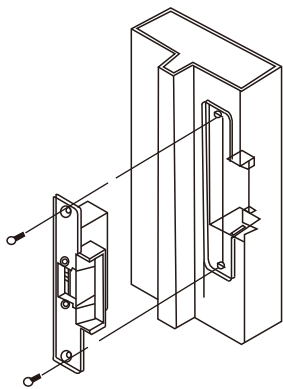


3 Fix the electric strike

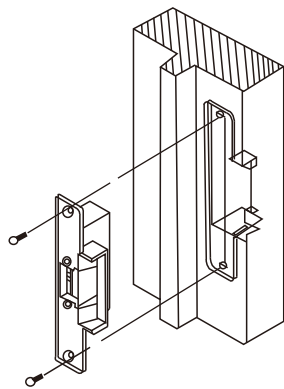


4 Finished

Suitable for

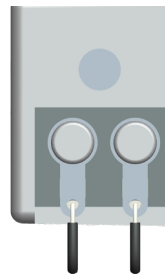
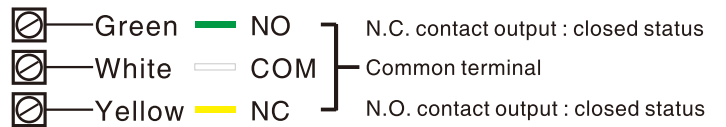


Metal Door Frame



Wooden Door Frame

Signal Output



Wire connection

