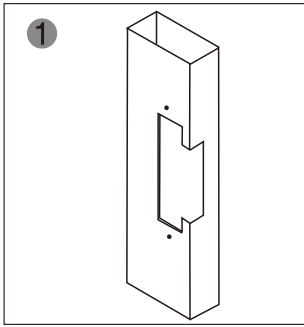
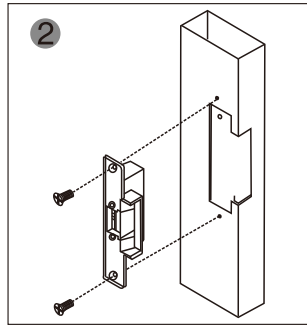




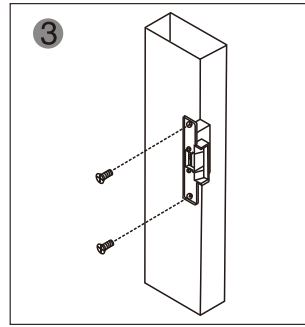
# Installation



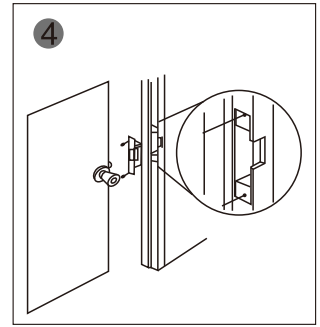
1 Cut hole according to the dimension of strike.



2 Assemble the lock and connect it to the power to test

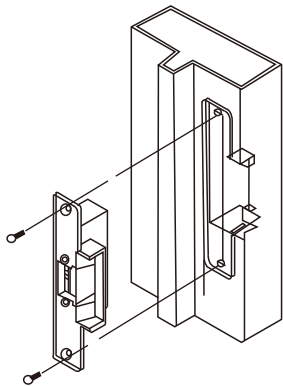


3 Fix the electric strike

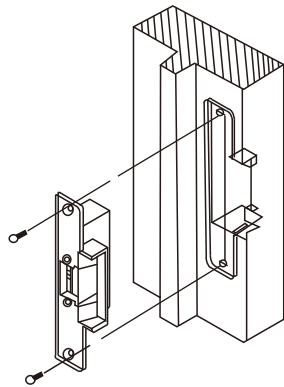


4 Finished

# Suitable for

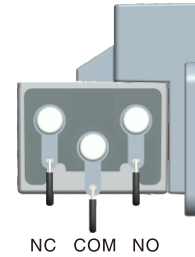
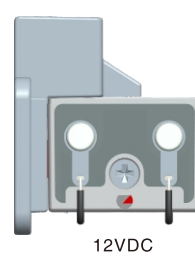


Metal Door Frame



Wooden Door Frame

- Black — +
  - Black — -
  - Green — NO
  - White — COM
  - Yellow — NC
- ] N.C. contact output : closed status  
 ] Common terminal  
 ] N.O. contact output : closed status



# Wire connection

